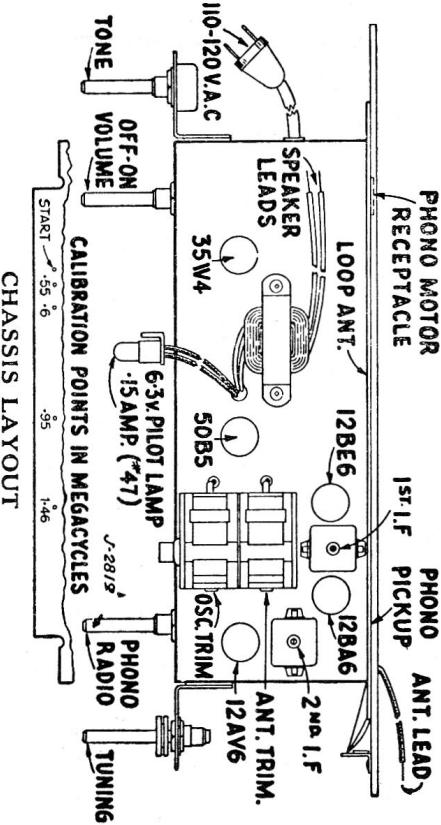


ALL VOLTAGES +/- 10% MEASURED TO B- WITH A.V.T.V. METER

**COMPONENT VALUES**  
 RESISTORS - HALF WATT UNLESS OTHERWISE NOTED, 20% TOLERANCE UNLESS OTHERWISE NOTED, K = 1000 OHMS, M = 1000,000 OHMS.  
 CONDENSERS - T-TUBULAR, FOLLOWED BY CAP. IN MFD. AND D.C.M.V., E - ELECTROLYTIC, FOLLOWED BY CAP. IN MFD. & TOL. IF CRITICAL, M = MICA, FOLLOWED BY CAP. IN MMFD. & TOL. IF CRITICAL.

**ALIGNMENT AND SENSITIVITY SIGNAL GENERATOR MODULATED 30% AT 400 CY.**

STEP	APPLY SIGNAL THRU SERIES AT KC.	TO	SET GANG AT	ADJUST FOR MAX. OUTPUT	NOMINAL SENSITIVITY FOR 50 MILLIVOLTS INPUT
1	455	72BA6	.05	2ND. I.F.	1500
2	455	12BA6	.05	1ST & 2ND. I.F.	40
3	1460	ANT.		OSC. TRIM. ANT. TRIM.	10
4	600	ANT.		CHECK ONLY	10



**Viking 51-66**

**STRINGING DETAIL**

**SPECIFICATIONS**

Standard Broadcast Range ..... 540 Kc. - 1600 Kc.  
 Intermediate Frequency ..... 455 Kc  
 Power Consumption (Radio Only) ..... 25 Watts  
 Power Consumption (Radio and Phono) ..... 36 Watts  
 Undistorted Output ..... 700 mw.  
 Maximum Power Output ..... 1.5 Watts

