

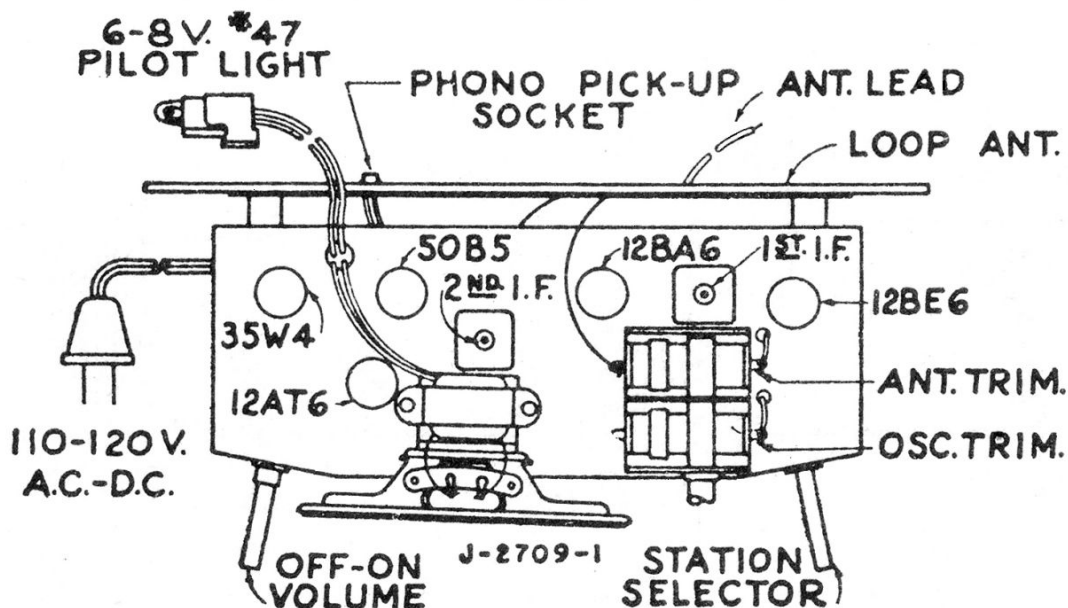
NOTE:
T.01 600V Phono Jack to B - Changed to T.05 600V

VIKING 51-30

ALIGNMENT AND SENSITIVITY

SIGNAL GENERATOR MODULATED 30% AT 400 CY.

STEP	APPLY SIGNAL		THRU SERIES DUMMY	SET GANG AT	ADJUST FOR MAX. OUTPUT.	NOMINAL SENSITIVITY FOR 50 MILLIWATTS OUTPUT
	AT KC.	TO				
1	455	12BA6 #1 PIN	.5 μ f.		2ND. I.F	5000 μ v.
2	455	12BE6 #7 PIN	.05 μ f.	MINIMUM CAPACITY	1ST. I.F 2ND. I.F	160
3	1460	ANT.	400 Ω	1460	OSC. TRIM. ANT. TRIM.	20
4	600	ANT.	400 Ω	600	CHECK ONLY	20



VIKING 51-30

