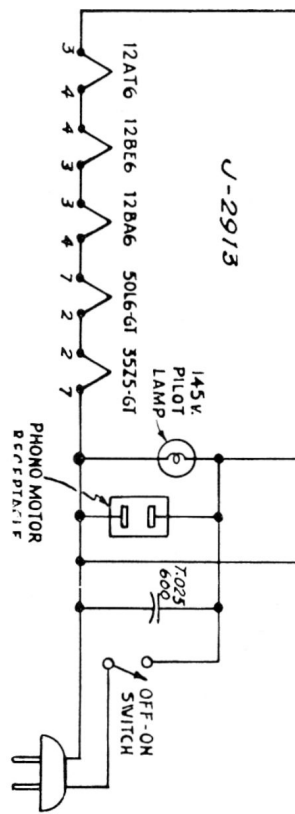
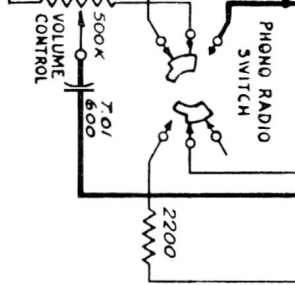
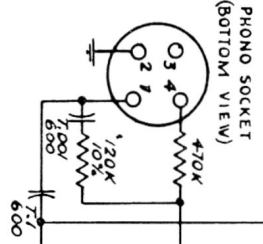
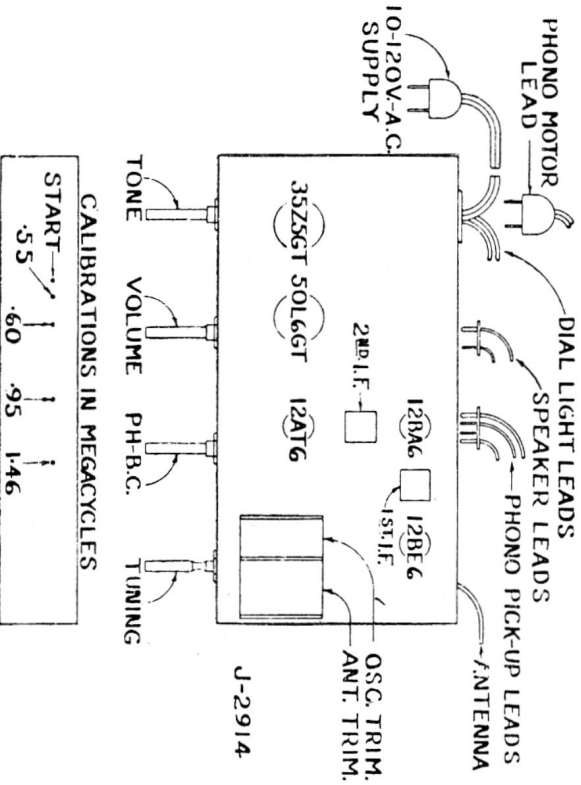


VIKING 51-111, 51-112

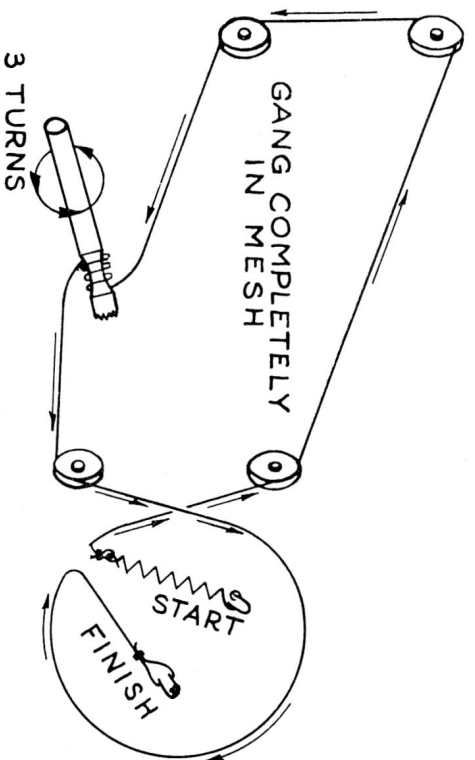


U-2913

ALIGNMENT AND SENSITIVITY					
SIGNAL GENERATOR MODULATED 30% AT 400 CY.					
STEP	APPLY SIGNAL AT KC.	THRU SERIES TO DUMMY	SET GANG AT	ADJUST FOR MAX OUTPUT	NOMINAL SENSITIVITY FOR 500 MILLIWATTS OUTPUT
1	455	12BAG #1 PIN	.05	2ND I.F. CAPACITY	2000 μ V
2	455	12BEG #7 PIN	.05	1ST I.F. CAPACITY	55 μ V
3	1460	ANT.	200 μ V Pk.	OSC. TRIM. ANT. TRIM.	12 μ V
4	600	ANT.	200 μ V Pk.	CHECK ONLY	12 μ V



CHASSIS LAYOUT CHART



J-2915
STRINGING DETAIL

SPECIFICATIONS

Standard Broadcast Range	535 Kc — 1650 Kc
Intermediate Frequency	455 Kc.
Power Consumption (Radio Only)	45 Watts
Power Consumption (Radio and Phono)	60 Watts
Undistorted Output	2.4 Watts
Maximum Power Output	3.7 Watts

COMPONENT VALUES

RESISTORS: HALF WATT, UNLESS OTHERWISE NOTED.
20% TOLERANCE, UNLESS OTHERWISE NOTED.

K = 1000 OHMS.

M = 1000,000 OHMS.

CONDENSERS: T = TUBULAR, FOLLOWED BY CAP IN MFD. AND D.C. IN V.

E = ELECTROLYTIC, FOLLOWED BY CAP IN MFD. & D.C. IN V.

C = CERAMIC, FOLLOWED BY CAP IN MMFD. & TOL. IF CRITICAL.

M = MICA, FOLLOWED BY CAP IN MMFD. & TOL. IF CRITICAL.