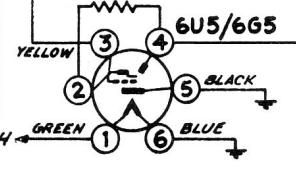
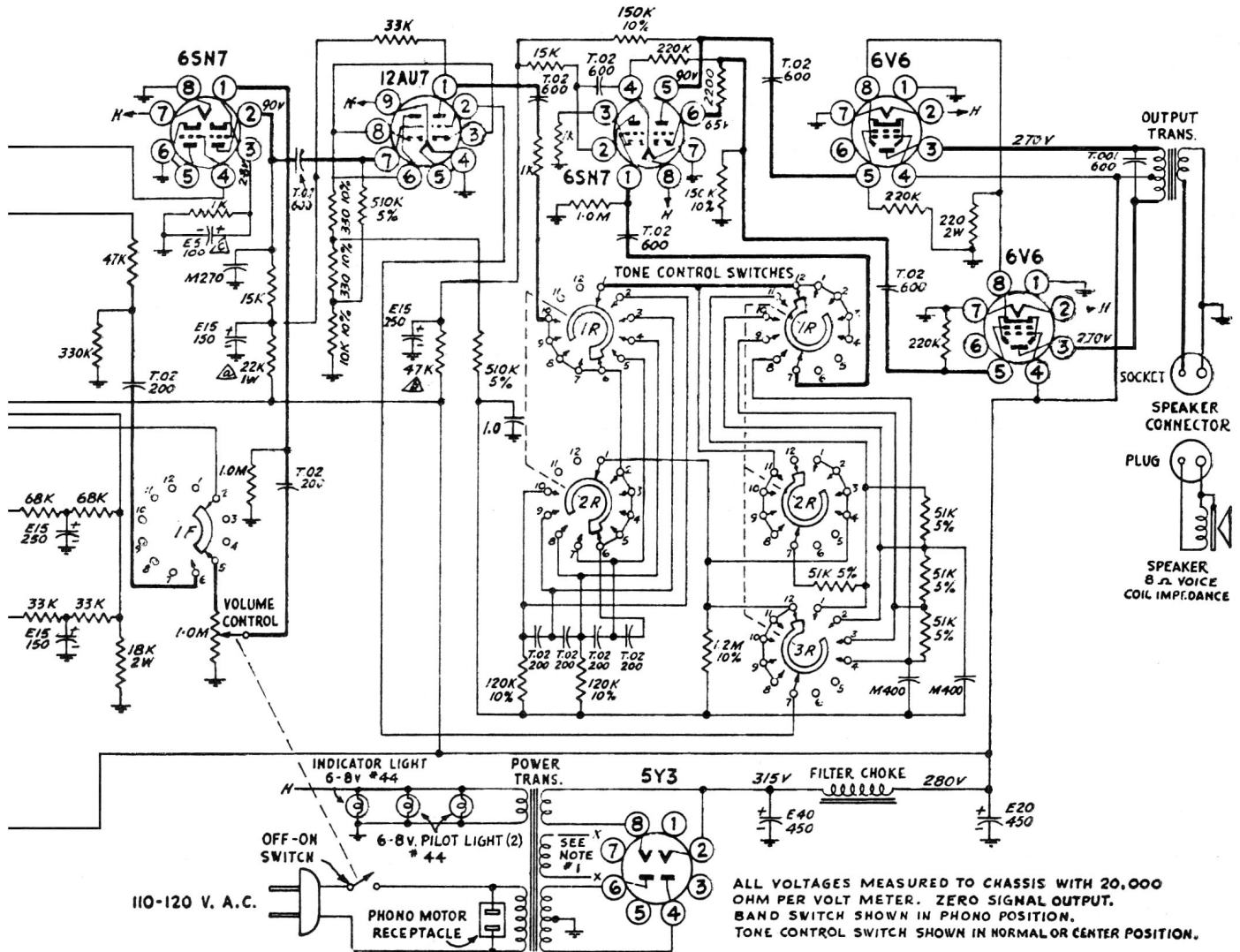


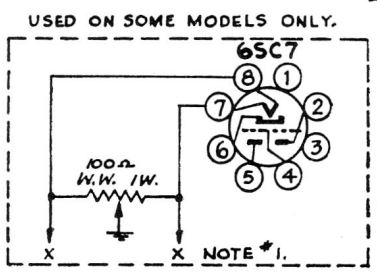
VIKING 51-108

C.N.No.	DATE	CHANGE	SYM.
4181	11 28 50	6U6 ATTENDANT CONNECTIONS CHANGED TO 12A7 WITH NEW WIRING. WAS 1/2W Δ WAS 22K OHM Δ W.	
4241	2-14-51	5 μ F. ELECTROLYTIC ADDED TO 6SN7 PIN #5 TO GND.	C
4241	2-14-51	CONNECTING LOT ADDED. BOTTOM OF SW2 IN STAGE COIL	d.





ALL VOLTAGES MEASURED TO CHASSIS WITH 20,000 OHM PER VOLT METER. ZERO SIGNAL OUTPUT. BAND SWITCH SHOWN IN PHONO POSITION. TONE CONTROL SWITCH SHOWN IN NORMAL OR CENTER POSITION.



ALIGNMENT AND SENSITIVITY						
SIGNAL GENERATOR MODULATED 30% AT 400 C.P.S.						
TONE CONTROL SWITCHES IN NORMAL OR CENTER POSITION						
STEP	APPLY SIGNAL AT KC.	TONE TO	THERM SERIES DUMMY	SET GANG AT	ADJUST FOR MAX. OUTPUT FOR 500 MILLIWATTS OUTPUT	NOMINAL SENSITIVITY
1	455	68A6 I.F. 4.1 P.I.N	.05		2ND I.F.	3250
2	455	68E6 #7 P.I.N	.05	MIN. CAP.	#1 & 1.5 IRON CORES.	75
3	1460	68E6 #7 P.I.N	.05	1460 KC.	B.C.	-
4	1460	ANT.	200 μ f	1460 KC.	B.C. ANT. & TENSAGE TRIMMERS	5
5	600	ANT.	200 μ f	600 KC.	B.C. OSC. PAD	7
6	16 MC.	ANT.	400 Ω	16 MC.	S.W. 2 OSC. INTERMEDIATE ANT. TRIM.	10
7	10.5 MC.	ANT.	400 Ω	10.5 MC.	S.W. 2 CHECK POINT	10
8	10 MC.	ANT.	400 Ω	10 MC.	S.W. 1 OSC. INTERMEDIATE ANT. TRIM	10
9	6 MC.	ANT.	400 Ω	6 MC.	S.W. 1 CHECK POINT	10

COMPONENT VALUES

RESISTORS: HALF WATT UNLESS OTHERWISE NOTED.
20% TOLERANCE UNLESS OTHERWISE NOTED.

K = 1000 OHMS.

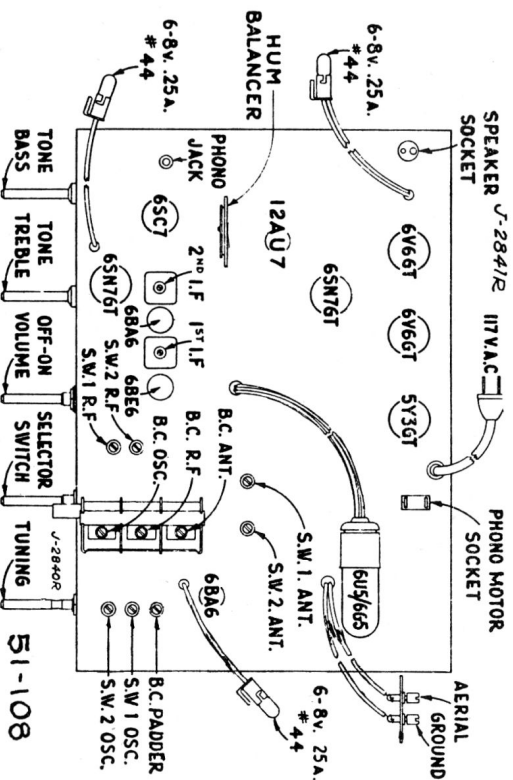
M = 1000,000 OHMS.

CONDENSERS: T = TUBULAR, FOLLOWED BY CAP IN MFD. AND P.C.M.V.

E = ELECTROLYTIC, FOLLOWED BY CAP IN MFD. & D.C.M.V.

C = CERAMIC, FOLLOWED BY CAP IN MMFD. & TOL. IF CRITICAL.

M = MICA, FOLLOWED BY CAP IN MMFD. & TOL. IF CRITICAL.



Sorry no dial stringing supplied

SPECIFICATIONS

Standard Broadcast Range.....	540 Kc. - 1640 Kc.
Short Wave Range SW1.....	5.7-11.0 Mc.
SW2.....	10.0-18.0 Mc.
Power Consumption (Radio Only).....	120 Watts
Power Consumption (Radio and Phono).....	132 Watts
Undistorted Output.....	6 Watts
Maximum Power Output.....	9 Watts

