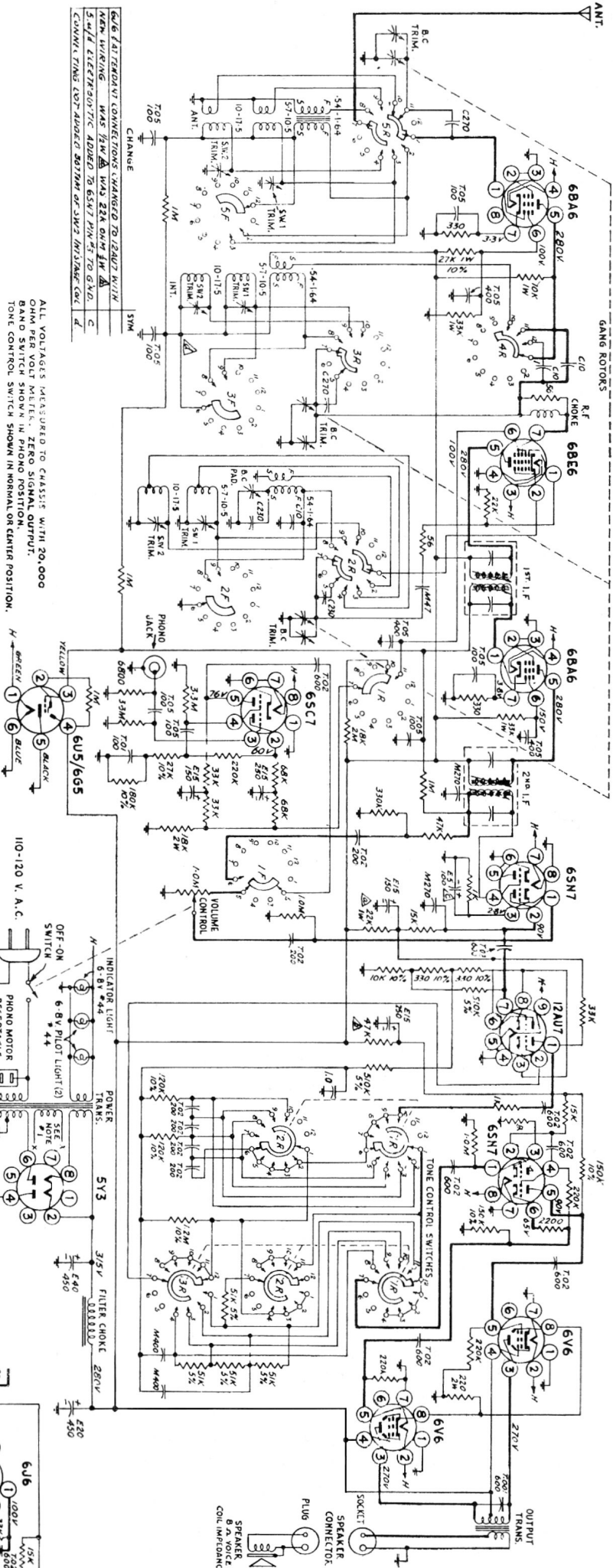


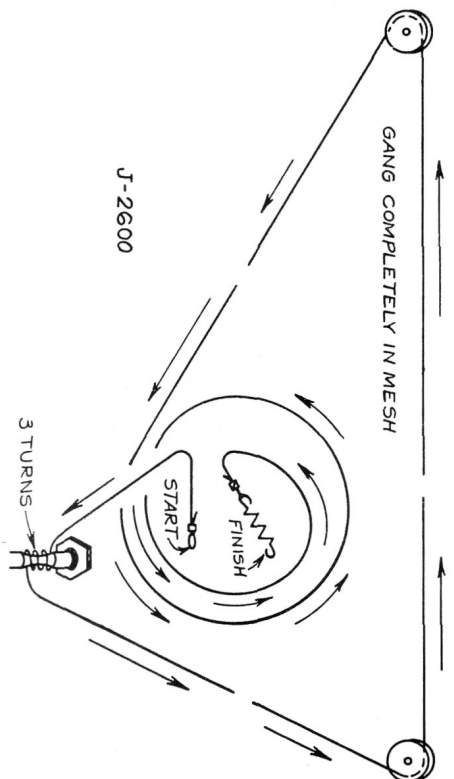
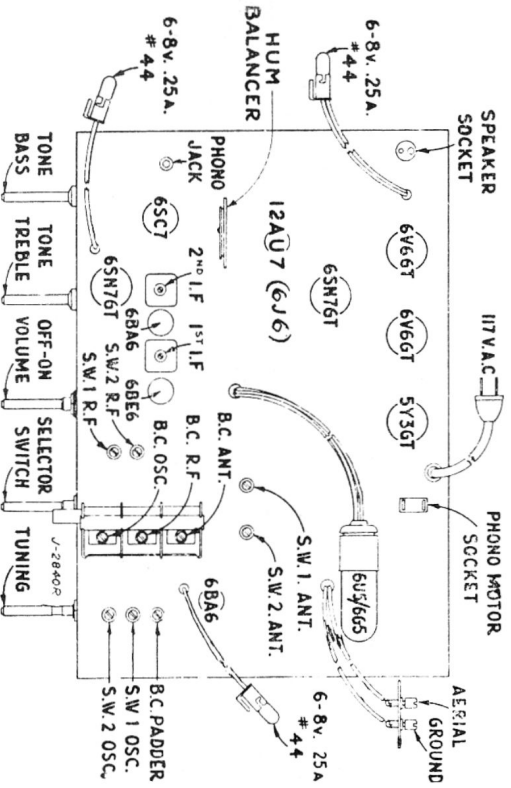
VIKING 51-102, 51-102R



6A6 AT TENDON CONNECTIONS CHANGED TO 12AU7 WITH NEW WIRING WAS 7MVA WAS 28A ON 7MVA 5MVA ELECTROSTATIC ADDED TO 6S17 PIN #1 TO GND. C CUMULATIVE CAPACITANCE BOTTOM OF SW2 IN 12AU7 Ckt. D

ALL VOLTAGES MEASURED TO CHASSIS WITH 20,000 OHM PER VOLT METER, ZERO SIGNAL OUTPUT. BAND SWITCH SHOWN IN NORMAL POSITION. TONE CONTROL SWITCH SHOWN IN NORMAL OR CENTER POSITION.

ALIGNMENT AND SENSITIVITY						
SIGNAL GENERATOR MODULATED 30% AT 400 C.P.S.						
TONE CONTROL SWITCHES IN NORMAL OR CENTER POSITION						
STEP	APPLY SIGNAL AT KC.	TNRV SERIES TO	TRV SERIES DUMMY	SET GANG AT	ADJUST FOR MAX. OUTPUT FOR 500 MILLIWATTS OUTPUT	NOMINAL SENSITIVITY FOR 500 MILLIWATTS OUTPUT
1	455	6B46 I.F. #1 PIN	.05		2ND. I.F. IRON CORES	3250
2	455	6BE6 #7 PIN	.05	MIN. CAP.	#1 & 2 I.F. IRON CORES	75
3	1460	6BE6 #7 PIN	.05	1460 KC.	B.C. OSC. TRIM.	-
4	1460	ANT.	200 μ fd	1460 KC.	B.C. ANT. INTERSTAGE ANT. TRIM.	5
5	600	ANT.	200 μ fd	600 KC.	B.C. OSC. PAD	7
6	16 MC.	ANT.	400 Ω .	16 MC.	SW 2 OSC. INTERSTAGE ANT. TRIM.	10
7	10.5 MC.	ANT.	400 Ω .	10.5 MC.	SW 2 CHECK POINT	10
8	10 MC.	ANT.	400 Ω .	10 MC.	SW 1 OSC. INTERSTAGE ANT. TRIM.	10
9	6 MC.	ANT.	400 Ω .	6 MC.	SW 1 CHECK POINT	10



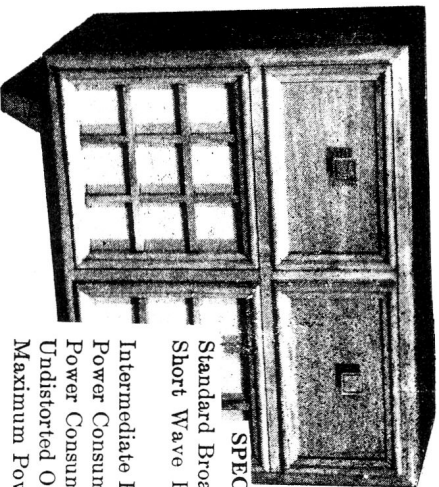
COMPONENT VALUES

RESISTORS: HALF WATT UNLESS OTHERWISE NOTED.
20% TOLERANCE UNLESS OTHERWISE NOTED.

K = 1000 OHMS.

M = 1000,000 OHMS.

CONDENSERS: T=TUBULAR, FOLLOWED BY CAP. IN MFD. AND DC. W.V.
E=ELECTROLYTIC, FOLLOWED BY CAP. IN MFD. & D.C. W.V.
C=CERAMIC, FOLLOWED BY CAP. IN MMFD. & TOL. IF CRITICAL.
M=MICA, FOLLOWED BY CAP. IN MMFD. & TOL. IF CRITICAL.



SPECIFICATIONS

Standard Broadcast Range.....540 Kc. - 1640 Ke
Short Wave Range.....5.7-11.0 Mc.
SW1.....10.0-18.0 Mc.
SW2.....
Intermediate Frequency.....455 Kc.
Power Consumption (Radio Only).....120 Watts
Power Consumption (Radio and Phono) 132 Watts
Undistorted Output.....6 Watts
Maximum Power Output.....9 Watts