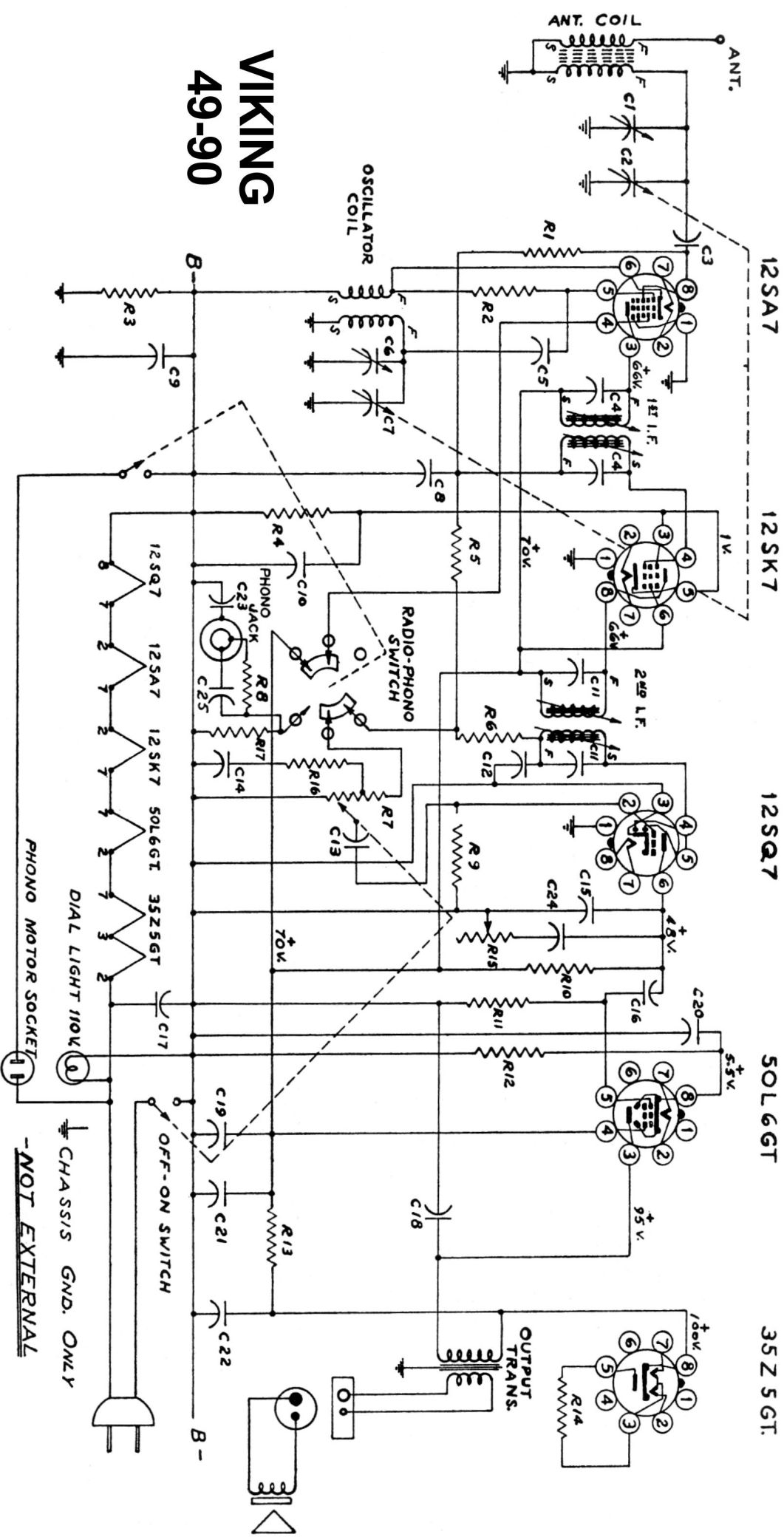


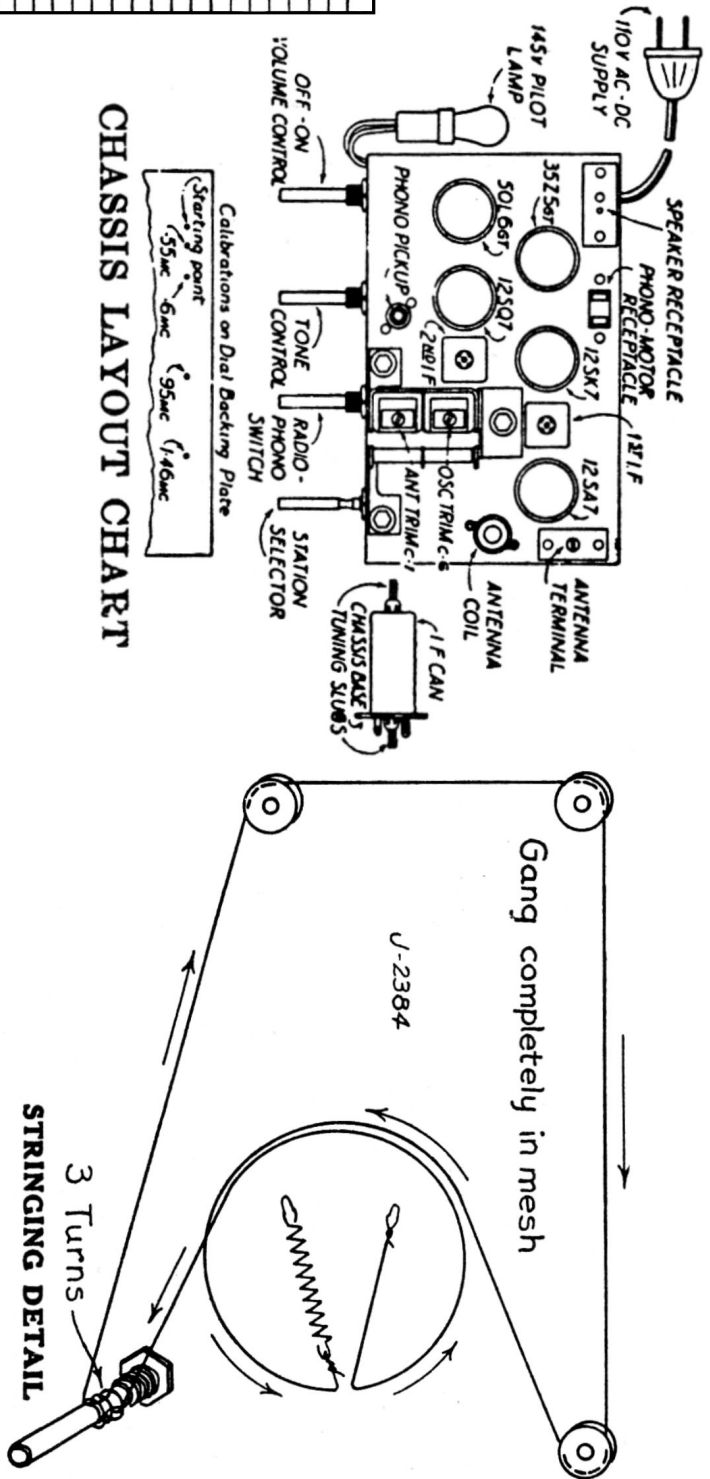
# VIKING 49-90



RESISTORS		
R1	1 megohm	± 20% 1/2 W.
R2	33,000 ohm	± 20% 1/2 W.
R3	330,000 ohm	± 20% 1/2 W.
R4	270 ohm	± 10% 1/2 W.
R5	2.2 megohm	± 20% 1/2 W.
R6	47,000 ohm	± 20% 1/2 W.
R7	500,000 ohm	CONTROL TAPPED AT 250,000
R8	1 megohm	± 20% 1/2 W.
R9	10 megohm	± 20% 1/2 W.
R10	220,000 ohm	± 20% 1/2 W.
R11	470,000 ohm	± 20% 1/2 W.
R12	220 ohm	± 20% 1/2 W.
R13	6,200 ohm	± 20% 1 W.
R14	100 ohm	± 10% 1 W.
R15	150,000 ohm	± 20% 1/2 W.
R16	100,000 ohm	± 20% 1/2 W.
R17	1 megohm	± 20% 1/2 W.

CONDENSERS		
C1	ANT. TRIMMER	GANG COND.
C2	ANT. SECTION OF GANG	
C3	50 $\mu$ mf	± 20% 500 V. MICA
C4	110 $\mu$ mf	DUAL I.F.
C5	50 $\mu$ mf	± 20% 500 V. MICA
C6	OSC. TRIMMER	GANG COND.
C7	OSC. SECTION OF GANG	
C8	.05 $\mu$ f	100 V. TUBULAR
C9	.025 $\mu$ f	600 V. RESONANT TUBULAR
C10	.05 $\mu$ f	100 V. TUBULAR
C11	110 $\mu$ mf	DUAL I.F.
C12	260 $\mu$ mf	± 20% 500 V. MICA
C13	.01 $\mu$ f	200 V. TUBULAR
C14	.005 $\mu$ f	200 V. TUBULAR
C15	260 $\mu$ mf	± 20% 500 V. MICA
C16	.01 $\mu$ f	600 V. TUBULAR
C17	.025 $\mu$ f	600 V. TUBULAR
C18	.01 $\mu$ f	600 V. TUBULAR
C19	.1 $\mu$ f	200 V. TUBULAR
C20	10 $\mu$ f	25 V. TRIPLE DRY ELECTROLYTIC
C21	20 $\mu$ f	150 V. TRIPLE DRY ELECTROLYTIC
C22	50 $\mu$ f	150 V. TUBULAR
C23	.01 $\mu$ f	600 V. TUBULAR
C24	.008 $\mu$ f	600 V. TUBULAR
C25	400 $\mu$ mf	± 20% 500 V. MICA



**SPECIFICATIONS**

- Standard Broadcast Range.....540 Kc. - 1600 Kc.
- Intermediate Frequency.....455 Kc.
- Power Consumption (Radio Only).....30 Watts
- Power Consumption (Radio and Phono).....45 Watts
- Undistorted Power Output.....700 mW.
- Maximum Power Output.....900 mW.

NOMINAL SENSITIVITY FOR 50 milliwatts OUTPUT			
SIGNAL MODULATED 30% AT 400 C.P.S.			
SIGNAL APPLIED TO	SERIES DUMMY	455 KC.	1000 KC.
ANTENNA	400 ohm		30
12SA7	.05 $\mu$ f	90	110
12SQ7	.05 $\mu$ f	3000	