

ECN. 3872 Phono Motor Switch Removed.  
 C-17 Connected across Output Trans. Pri.,  
 C-10, C-7, R-5 Removed.  
 R-17 changed to 2200 ohm ± 1090 5W.

J-2355

VIKING 49-82, 50-82RRR

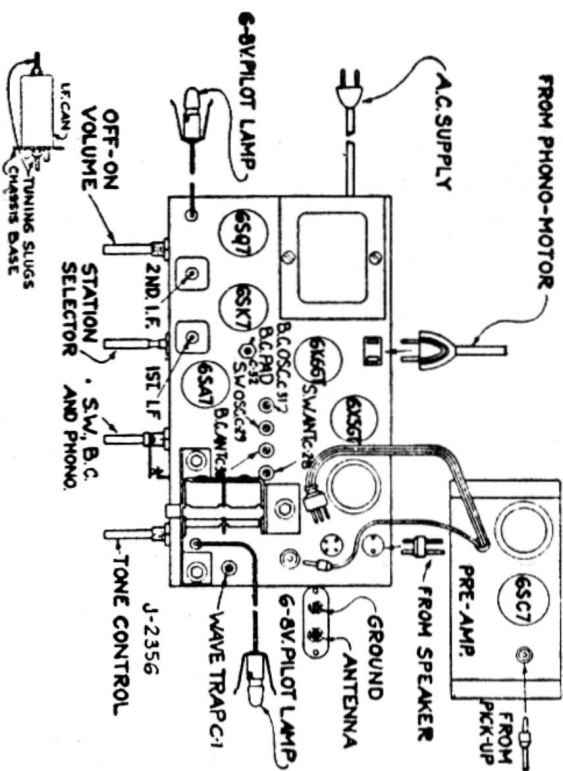
VOLUME AND TONE CONTROLS

MISCELLANEOUS

JENSEN

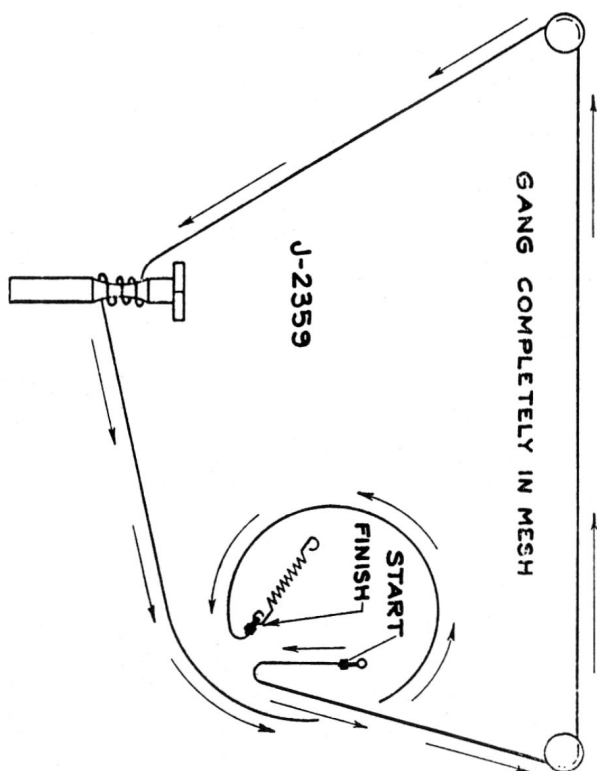
Circuit Designation	Value	Mfgs. No.	IRC No.	Speaker 12" PM Output Trans. 256 Power Trans. 600 BC Osc. Coil WaveTrap Coil 1st. I.F. Trans. 2nd. I.F. Trans. BC Ant. Coil SW Osc. Coil	P-1798 P-2430 IK-451 IK-454 IK-455 P-1337 P-1785-1 P-1843 P-1844 P-1869-1 P-1918 P-1919 P-1900 P-1887-2 P-1888-2
R10	2 Meg.	R-297-4	SW.No. 21		1011
R14	150K	R-298-4			1010
CAPACITOR					
AEROVOX No.					
02, 03	Tuning Gang 47 mmd, oeramio	V-343-1		Pre-amp. Changer 256 Changer 600	
04	.05 400V pp.		1466		
06, 07, 08	.05 200V pp.		494		
010, 024, 026, 034	100 mmd, oeramio		1466		
011, 035	1005 600V pp.		684		
012, 035	220 mmd, oeramio		1466		
015	.01 600V pp.		684		
014, 016, 027	.009 800V pp.		684		
015	.003 800V pp.		684		
017	23-20-40 mfd.		ERR 30		
018, 019, 020	50-450-450V pp.	G-503	ERR30		
021	.0015 400V pp.		684		
022, 023	15 mfd. 150V		ERR150		
025	.02 600V pp.		684		

ALIGNMENT AND SENSITIVITY				
SIGNAL GENERATOR MODULATED 50% AT 400 CYCLES				
STEP	APPLY SIGNAL	TUNING SET GANG	ADJUSTED FOR	NOMINAL SENSITIVITY FOR 500 MILLIWATTS OUTPUT
1	455 KC. 2.5 V	0.54 MFD	MAXIMUM OUTPUT	5000 UV
2	455 KC. 4.5 V	1.054 MFD	2ND. I.F.	100 UV.
3	455 KC. ANTENNA	200.44 MFD	WAVE TRAP TRIM POT	
4	1460 ANTENNA	200.44 MFD	MINIMUM OUTPUT	
5	600 ANTENNA	200.44 MFD	0.C. OSC. TRIM. C-31	
6	1460 ANTENNA	200.44 MFD	B.C. OSC. TRIM. C-31	
7	16 MC. ANTENNA	400 OHMS	B.C. ANT. TRIMMER C-30	20
8	16 MC. ANTENNA	400 OHMS	SW. ANT. TRIM. C-28	50



CHASSIS LAYOUT CHART

No. ECC62-418, 428, 438  
No. ECC62-418Z, 428Z, 438Z



SPECIFICATIONS

Standard Broadcast Range	535 Kc - 1650 Kc
Short Wave Range	5.7Mc. - 17.5Mc.
Intermediate Frequency	455 Kc
Power Consumption ((Radio Only)	48 Watts
Power Consumption (Radio & Phono)	65 Watts
Undistorted Output	2.5 Watts
Maximum Power Output	4.0 Watts