

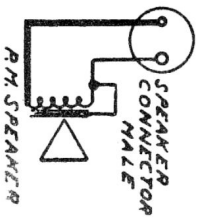
VIKING 48-46, 48-75

INT. FREQ. - 455 KC.

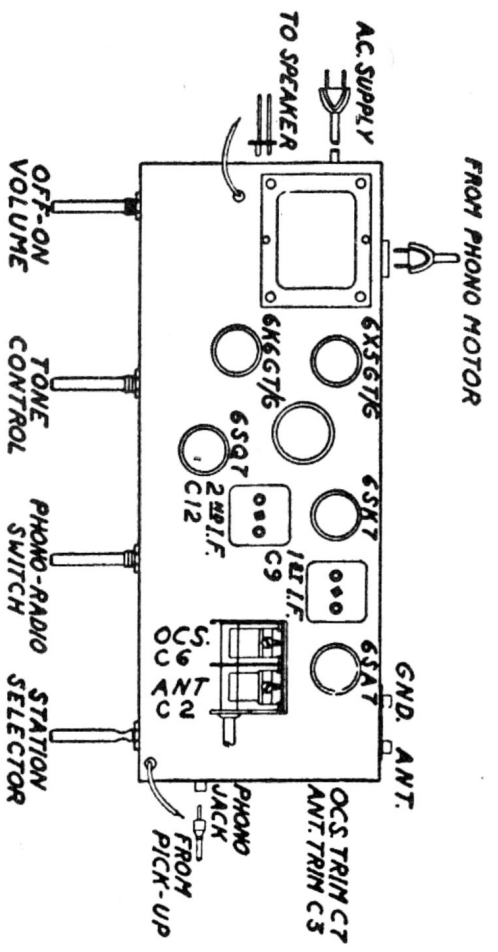
ALL MEASUREMENTS TAKEN WITH 20,000 OHM/VOLT VOLTMETER.

J-2259

PHONO MOTOR SWITCH AND RECEPTACLE - ON SOME MODELS ONLY.

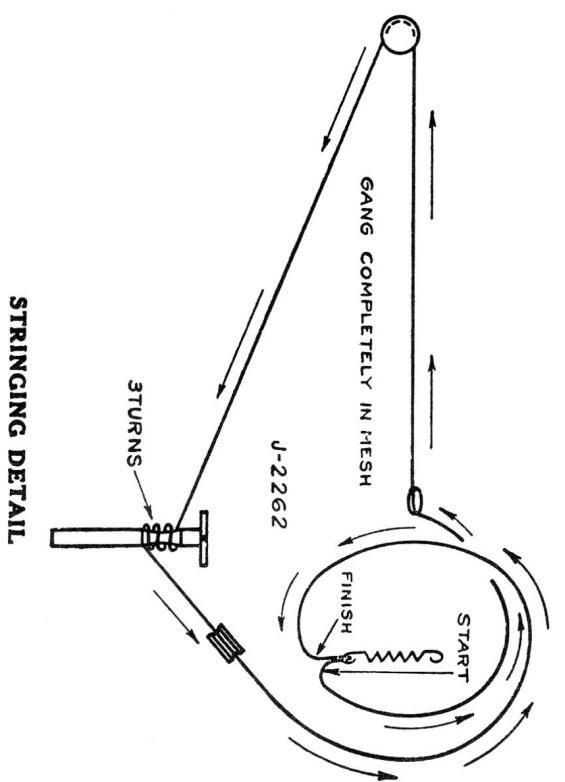


NO	CONDENSERS	NO	RESISTORS
C1	WAVE TRAP TRIMMER 40-80 μ fd	R1	22,000 Ω $\frac{1}{4}$ W. $\pm 20\%$
C2	ANT SECTION OF GANG	R2	2.2 MEG. Ω $\frac{1}{4}$ W. $\pm 20\%$
C3	ANT TRIMMER	R3	47,000 Ω $\frac{1}{2}$ W. $\pm 20\%$
C4	.05 μ fd 400 V. TUBULAR	R4	47 Ω $\frac{1}{4}$ W. $\pm 10\%$
C5	50 μ fd Mica 500V $\pm 20\%$	R5	47,000 Ω $\frac{1}{4}$ W. $\pm 20\%$
C6	OSC. SECTION OF GANG	R6	390,000 Ω $\frac{1}{4}$ W. $\pm 20\%$
C7	OSC. TRIMMER	R7	220,000 Ω $\frac{1}{4}$ W. $\pm 20\%$
C8	.05 μ fd 600 V. TUBULAR	R8	4.7 MEG. Ω $\frac{1}{4}$ W. $\pm 20\%$
C9	Dual I.F. TRIMMER 60-220 μ fd	R9	2.2 MEG. Ω $\frac{1}{4}$ W. $\pm 20\%$
C10	.05 μ fd 600 V. TUBULAR	R10	470,000 Ω $\frac{1}{4}$ W. $\pm 20\%$
C11	.05 μ fd 600 V. TUBULAR	R11	470 Ω $\frac{1}{4}$ W. $\pm 10\%$
C12	Dual I.F. TRIMMER 60-220 μ fd	R12	150,000 Ω Tone Control
C13	.05 μ fd 400 V. TUBULAR	R13	18,000 Ω 2 W. $\pm 10\%$
C14	260 μ fd Mica 500V $\pm 20\%$	R14	2 MEG. Ω Volume Control
C15	260 μ fd Mica 500V $\pm 20\%$	R15	220,000 Ω $\frac{1}{4}$ W. $\pm 20\%$
C16	.008 μ fd 600 V. TUBULAR	R16	1 MEG. Ω $\frac{1}{4}$ W. $\pm 20\%$
C17	.01 μ fd 600 V. TUBULAR	R17	270,000 Ω $\frac{1}{4}$ W. $\pm 20\%$
C18	.003 μ fd 600 V. TUBULAR		
C19	.01 μ fd 600 V. TUBULAR		
C20	25 μ fd 50 W.V.		
C21	20 μ fd 450 W.V. } TRIPLE ELECTRIC		
C22	40 μ fd 450 W.V. }		
C23	400 μ fd Mica 500 V. $\pm 10\%$		
C24	.002 μ fd 600 V. TUBULAR		
C25	.005 μ fd 600 V. TUBULAR		



CHASSIS LAYOUT CHART

J-2268



SPECIFICATIONS

- Standard Broadcast Range..... 535Kc. - 1650Kc.
- Intermediate Frequency..... 455Kc.
- Power Consumption (Radio Only)..... 55 Watts
- Power Consumption (Radio and Phono)..... 70 Watts
- Hi-Fidelity Undistorted Output..... 1.2 Watts
- Maximum Power Output..... 3.0 Watts

NOMINAL SENSITIVITY IN MICROVOLTS FOR 500 MILLIWATTS OUTPUT.			
SIGNAL MODULATED 30% AT 400 CYCLES.			
SIGNAL FREQUENCY.	APPLIED TMRU SERIES DUMMY	To ANT. TERMINAL	To 6SA7 GRID
455 KC	05 μ fd	5000	120
1000 KC	200 μ fd	15	140
			To 6SK7 GRID
			7500