

NOTE: ALL MEASUREMENTS TAKEN WITH 20,000 OHM/VOLT VOLTMETER WITH 117V LINE  
 NOTE: SWITCH S1 IS SHOWN IN PHONO POSITION, EXTREME COUNTER-CLOCKWISE POSITION.

WINDING POLARITY  
 "S" DESIGNATES START OF WINDING  
 "F" DESIGNATES FINISH OF WINDING

J-1177-3 \* 2700 ± 5% 500V. MICA.

**Viking 46-81, 46-72, 46-42**  
**Electrohome 146, 235**  
**Dictator 677C, 677CC**  
**697CCA**  
**Lindsay 108, 112A, 257**  
 (CHASSIS 1-4726, 2-4726)

CONDENSERS			RESISTORS		
No.			No.		
C 1	40-80 MFD. WET TRAP TRIMMER		R 1	56 Ω ± 10%	1/4 W. CARBON
C 2	4.5-.15 MFD. N.F. ANT. TRIMMER		R 2	1 MEG. Ω ± 20%	1/4 W.
C 3	1.5-.15 MFD. B.C. ANT. TRIMMER		R 3	22,000 Ω ± 10%	1/4 W.
C 4	OSC. GANG CONDENSER		R 4	2.2 MEG. Ω ± 20%	1/4 W.
C 5	ANT. GANG CONDENSER		R 5	47 Ω ± 10%	1/4 W.
C 6	260 MFD. ± 20% 500V MICA		R 6	47,000 Ω ± 20%	1/4 W.
C 7	50 MFD. ± 20% 500V MICA		R 7	47,000 Ω ± 20%	1/4 W.
C 8	.05 MFD. 400V. TUBULAR		R 8	390,000 Ω ± 10%	1/4 W.
C 9	.05 MFD. 600V. TUBULAR		R 9	220,000 Ω ± 20%	1/4 W.
C 10	4-40 MFD. N.F. OSC. TRIMMER		R 10	18,000 Ω ± 10%	2 W.
C 11	200-1000 MFD. N.F. PAD		R 11	2 MEG. Ω	VOLUME CONTROL
C 12	H.F. TUBED MICA PAD IN N.M.F.D.		R 12	33,000 Ω ± 20%	1/4 W.
C 13	4-40 MFD. B.C. OSC. TRIMMER		R 13	12 Ω ± 5%	1 W.
C 14	150-600 MFD. B.C. PAD		R 14	600,000 Ω	1 W. TONE CONTROL AND ON-OFF SWITCH
C 15	6.0-220 OVAL I.F. TRIMMER		R 15	4.7 MEG. Ω ± 20%	1/4 W.
C 16	.05 MFD. 600V. TUBULAR		R 16	270,000 Ω ± 10%	1/4 W.
C 17	.05 MFD. 400V. TUBULAR		R 17	22,000 Ω ± 10%	1/2 W.
C 18	60-230 OVAL I.F. TRIMMER		R 18	150,000 Ω ± 5%	1/4 W.
C 19	260 MFD. ± 20% 500V MICA		R 19	150,000 Ω ± 10%	2 W.
C 20	.005 MFD. 600V. TUBULAR		R 20	240 Ω ± 10%	2 W.
C 21	260 MFD. ± 20% 500V MICA		R 21	220,000 Ω ± 10%	1/4 W.
C 22	.01 MFD. 600V. TUBULAR		R 22	220,000 Ω ± 10%	1/4 W.
C 23	.005 MFD. 600V. TUBULAR		R 23	220 Ω ± 10%	1 W.
C 24	.01 MFD. 600V. TUBULAR		R 24	120 Ω ± 10%	1 W.
C 25	.008 MFD. 600V. TUBULAR		R 25	1.5 MEG. Ω ± 20%	1/4 W.
C 26	.01 MFD. 600V. TUBULAR		R 26	470,000 Ω ± 20%	1/4 W.
C 27	.01 MFD. 600V. TUBULAR				
C 28	.01 MFD. 600V. TUBULAR				
C 29	.001 MFD. 600V. TUBULAR				
C 30	200 MFD. ± 20% 500V. MICA				
C 31	40 MFD. ± 50V				
C 32	20 MFD. 450V				
C 33					

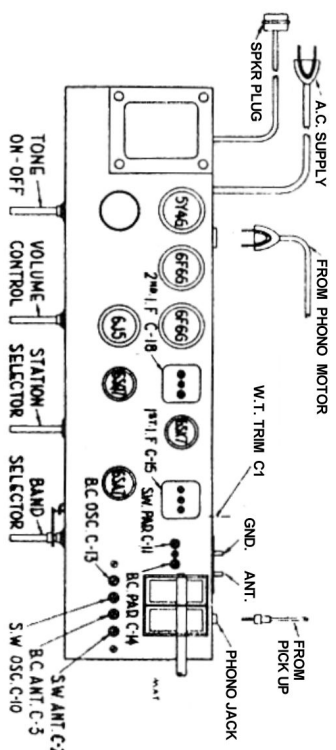
.05-600V. Tubular Condenser added at B + side of 1st I. F. Transformer, primary to chassis. ALIGNMENT—PROCEED IN SEQUENCE LISTED.

Band	Band Switch Setting	Dummy Antenna	Connect Generator To	Radio Dial Setting	Generator Frequency	Trimmer Adjusted	Adjustment
2nd I.F.	B.C.		Grid of 6SK7	1650 K.C.	455 K.C.	C-18	Maximum Output
1st I.F.	B.C.		Grid of 6SA7	1650 K.C.	455 K.C.	C-15	Maximum Output
1460 K.C.	B.C.	200 mmfd.	Antenna	1460 K.C.	1460 K.C.	C-13 C-3	Maximum Output
600 K.C.	B.C.	200 mmfd.	Antenna	600 K.C.	600 K.C.	C-14	Maximum Output
455 K.C.	B.C.	200 mmfd.	Antenna	1650 K.C.	455 K.C.	C-1	Minimum Output
15 M.C.	S.W.	400 ohm	Antenna	15 M.C.	15 M.C.	C-10 C-2	Maximum Output
6 M.C.	S.W.	400 ohm	Antenna	6 M.C.	6 M.C.	C-11	Maximum Output

# Viking 46-81, 46-72, 46-42 Electrohome 146, 235 Dictator 677C, 677CC 697CCA

## Lindsay 108, 112A, 257

Chassis Number  
1-4726 & 2-4726



STRINGING DETAIL

