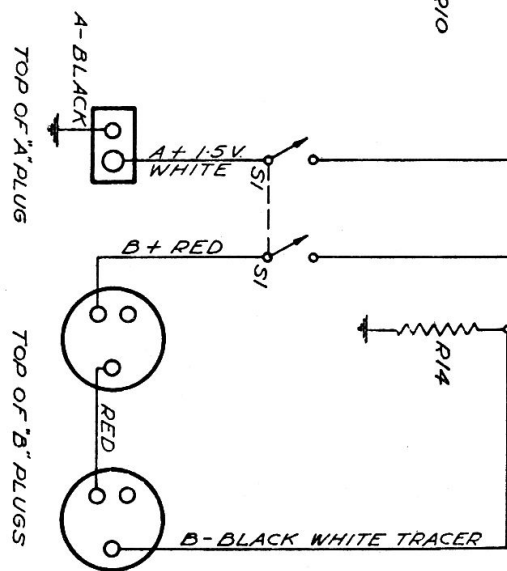


NOTE:
ALL VOLTAGES MEASURED TO CHASSIS
1B61M USES 1H5G TUBE AND R16

PHONOLOA 1B61-E, 1B61-M

VIKING 42-72X



RESISTORS

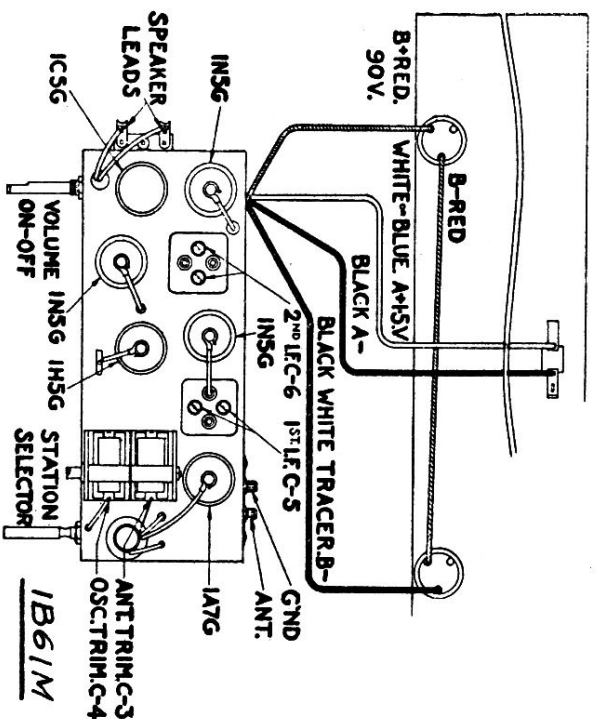
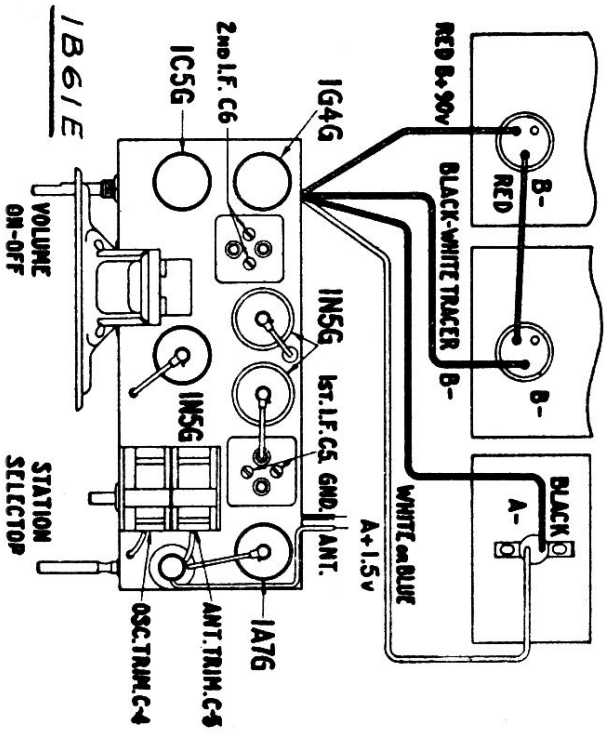
R1	22,000 Ω	1/4 W	±20%
R2	150,000 Ω	1/4 W	±20%
R3	47,000 Ω	1/4 W	±20%
R4	1 MEGOHM	1/4 W	±20%
R5	15,000 Ω	1/4 W	±20%
R6	2.2 MEGOHMS	1/4 W	±20%
R7	.35 Ω	1/2 W	±10%
R8	47,000 Ω	1/4 W	±20%
R9	1 MEGOHM VOLUME CONTROL	1/4 W	±20%
R10	5 MEGOHMS	1/4 W	±20%
R11	500,000 Ω	1/4 W	±20%
R12	150,000 Ω	1/4 W	±20%
R13	2.2 MEGOHMS	1/4 W	±20%
R14	750 Ω	1/2 W	±5%
R15	2.2 MEGOHMS	1/4 W	±20%
R16	5 Ω	1/2 W	±10%

CONDENSERS

C1	GANG CONDENSER (ANT. SECTION)		
C2	GANG CONDENSER (OSC. SECTION)		
C3	ANT. TRIMMER (ON GANG)		
C4	OSC. TRIMMER (ON GANG)		
C5	1ST. I.F. TRIMMERS		
C6	2ND. I.F. TRIMMERS		
C7	.05 MF. 200 V TUBULAR		
C8	.120 MMT. ±20% MICA		
C9	.05 MF. 200 V TUBULAR		
C10	.05 MF. 200 V TUBULAR		
C11	50 MMT. ±10% MICA		
C12	.120 MMT. ±20% MICA		
C13	.01 MF. 400 V TUBULAR		
C14	.1 MF. 200 V TUBULAR		
C15	260 MMT. ±20% MICA		
C16	.01 MF. 400 V TUBULAR		
C17	.004 MF. 600 V TUBULAR		
C18	4 MF. 100 V TUBULAR ELECT'G.		
C19			

COILS

T1	ANTENNA COIL
T2	OSCILLATOR COIL
T3	1ST. I.F. TRANSFORMER COIL
T4	2ND. I.F. TRANSFORMER COIL
T5	OUTPUT TRANSFORMER COIL
L1	P.M. DYNAMIC SPEAKER
S1	ON OFF SWITCH.



ALIGNMENT—PROCEED IN SEQUENCE LISTED. INT. FREQ. 455 K.C.

Band	Band Switch Setting	Dummy Antenna	Connect Generator To	Radio Dial Setting	Generator Frequency	Trimmer Adjusted	Adjustment
1st I.F.	B.C.	.1 Mfd.	Grid of 1A7.G. Converter	1700 K.C.	1700 K.C.	1st I.F. C-5	Maximum Output
2nd I.F.	B.C.	.1 Mfd.	Grid of 1N5.G. I.F. Tube	1700 K.C.	455 K.C.	2nd I.F. C-6	Maximum Output
1460 K.C.	B.C.	200 Mmfd.	Antenna	1460 K.C.	1460 K.C.	B.C. Osc. C-4 B.C. Ant. C-3	Maximum Output
600 K.C.	B.C.	200 Mmfd.	Antenna	600 K.C.	600 K.C.	Check only	

PHONOLA 1B61-E, 1B61-M VIKING 42-72X