

TEMPLE MODELS 21 AND 22 T.R.F. RECEIVERS

1932

schematic circuit diagram

TUBE ARRANGEMENT
(REAR OF CHASSIS)

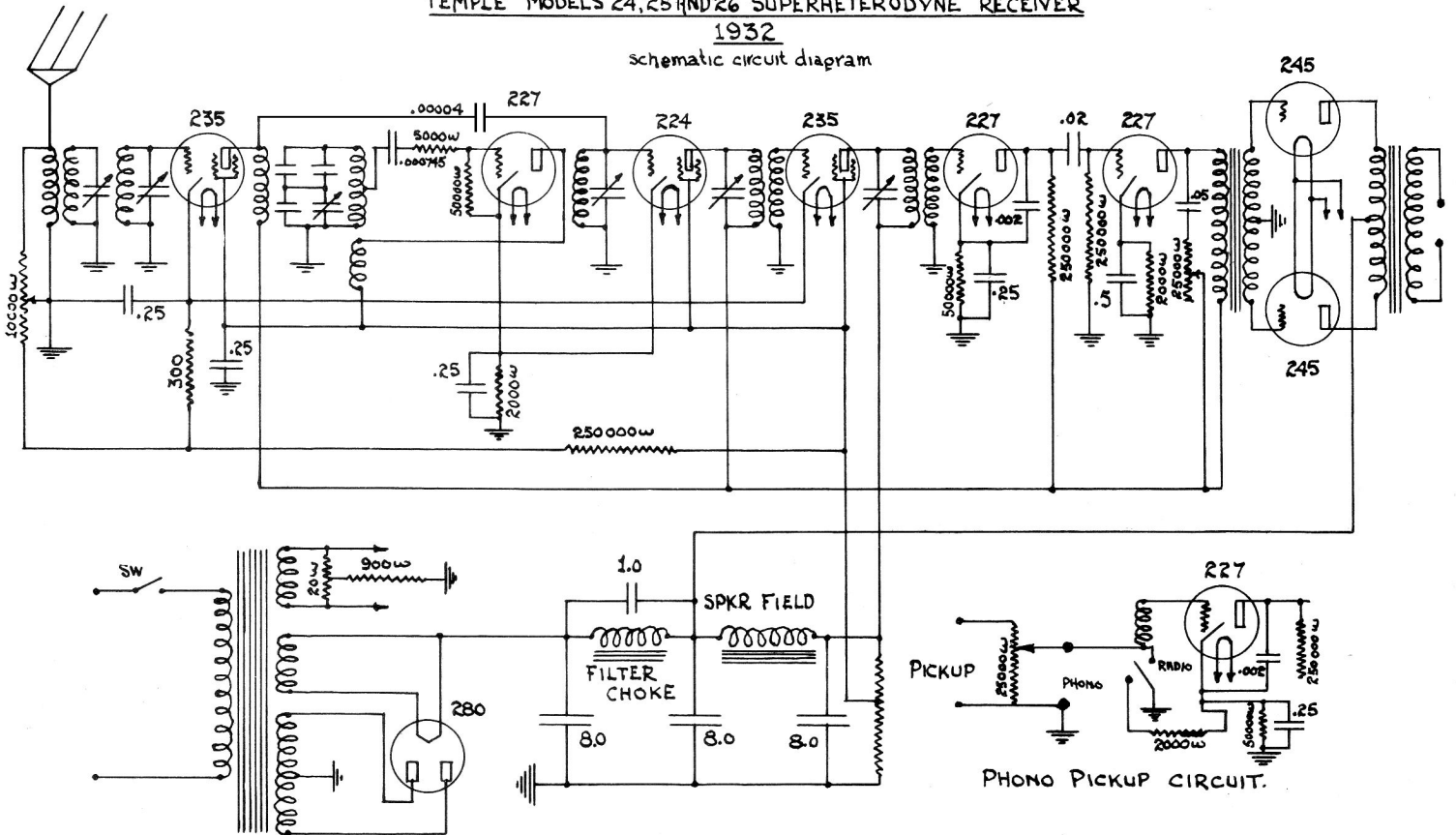


TYPE OF TUBE	POSITION OF TUBE	VOLTAGES				PLATE CURRENT IN M.A.
		PLATE	GRID	SC. GRID	FIL	
224	DET.	110	5	-	2.2	.5
235	1 st RF	220	2	-	2.2	2.5
235	2 nd RF	220	2	-	2.2	2.5
247	OUTPUT	240	-	245	2.2	-

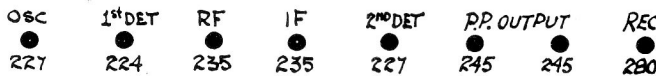
TEMPLE MODELS 24, 25 AND 26 SUPERHETERODYNE RECEIVER

1932

schematic circuit diagram



TUBE ARRANGEMENT
(REAR OF CHASSIS)



I.F. 175 Kc.

TYPE OF TUBE	POSITION OF TUBE	VOLTAGES				PLATE CURRENT IN M.A.
		PLATE	GRID	SC. GRID	FIL	
245	OUTPUT	215	36	-	2.1	2.2
245	OUTPUT	215	36	-	2.1	2.2
227	1 st AF	130	2	-	2.1	4.5
227	2 nd DET	80	7	-	2.1	.02
227	OSC.	50	ZERO	-	2.1	4.5
235	IF	140	2.5	-	2.1	4.7
235	RF	140	2.5	-	2.1	5.1
224	1 st DET	140	5	-	2.1	.02