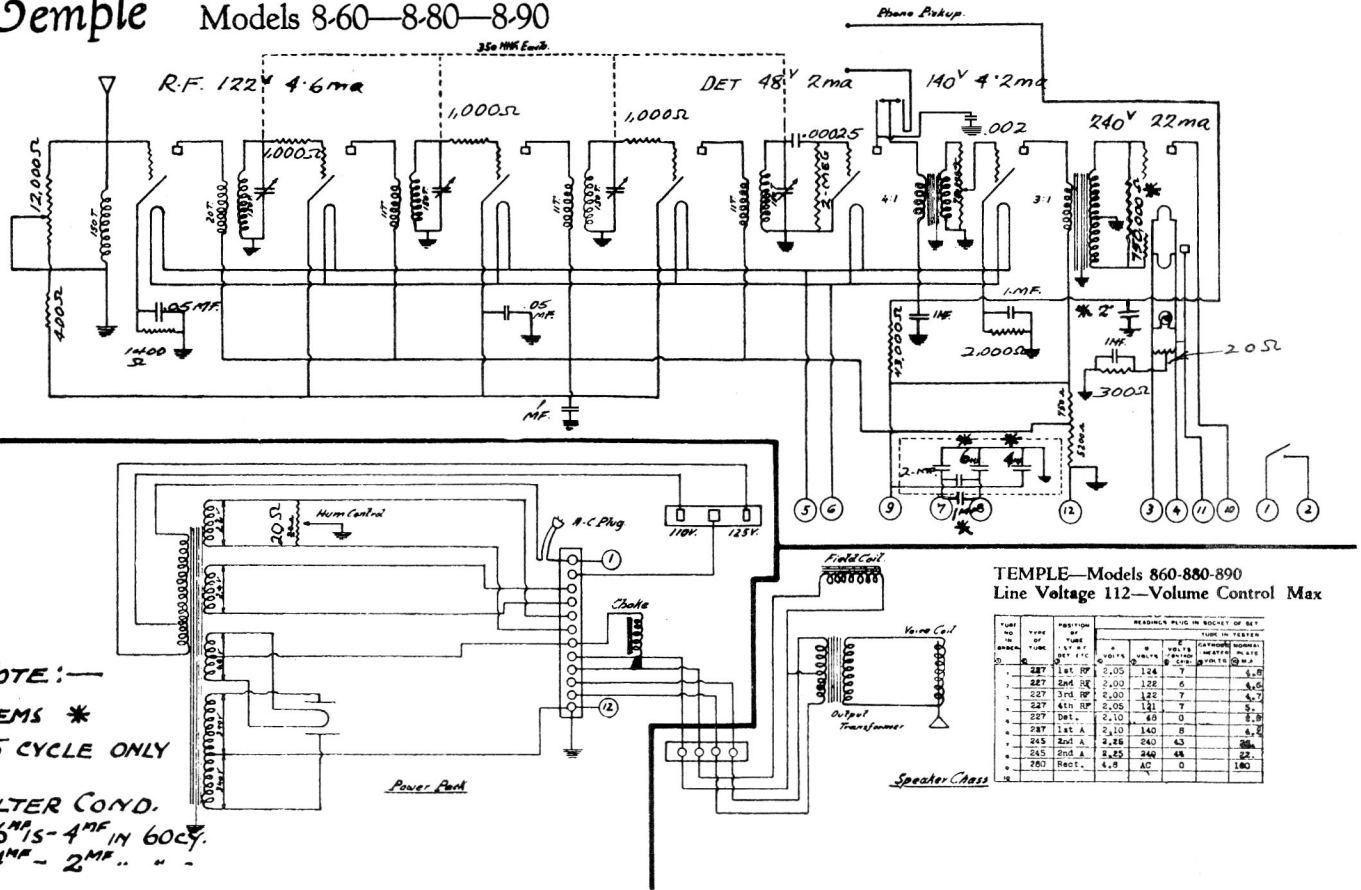


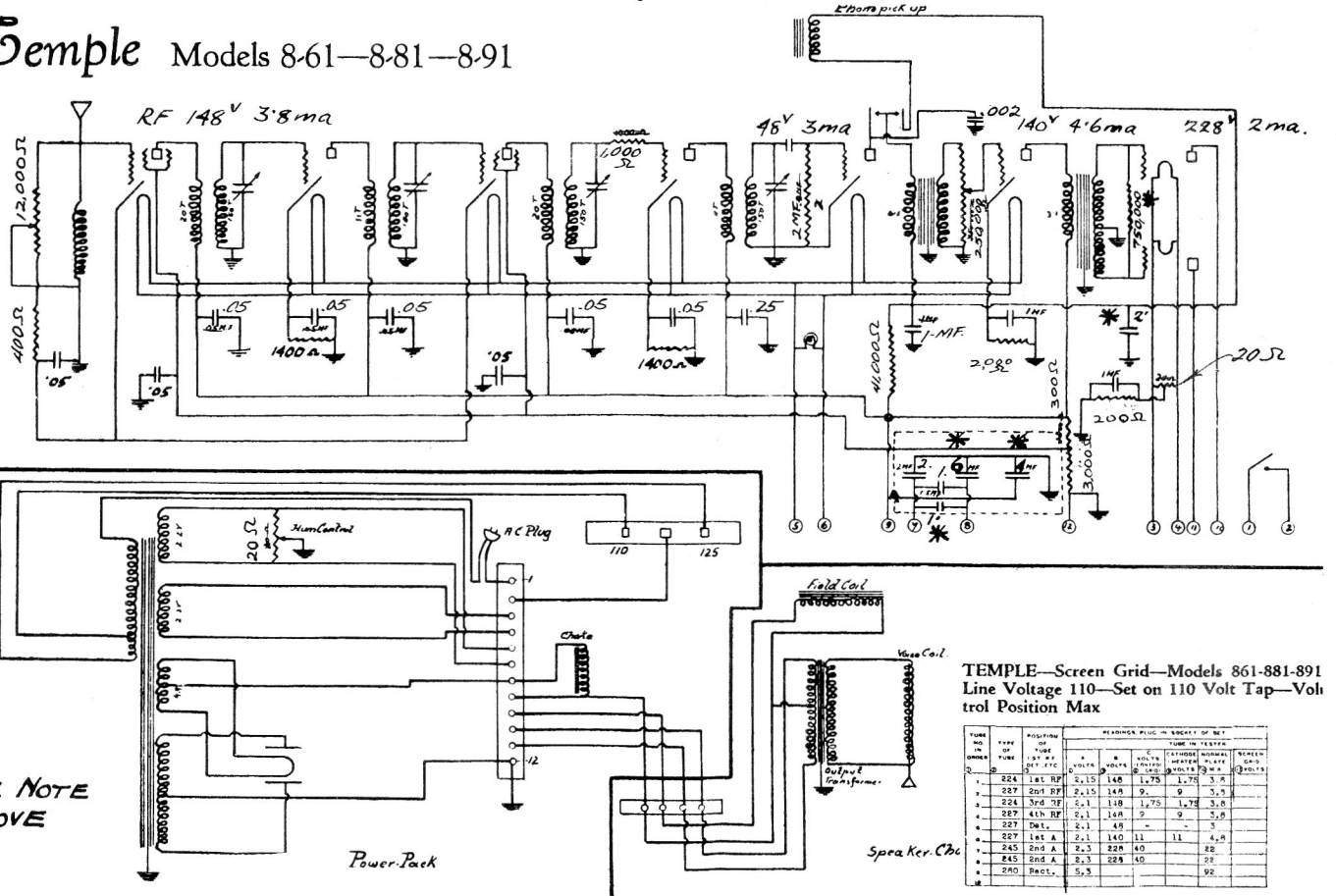
Temple Models 8-60—8-80—8-90



TEMPLE—Models 860-880-890
Line Voltage 112—Volume Control Max

| TUBE NO. | TYPE OF TUBE | POSITION OF TUBE | HEADPHONES PLUG IN SOCKET OF SET | | | | SCREEN GRID | SIGNAL | REMARKS |
|----------|--------------|------------------|----------------------------------|----|---|---|-------------|--------|---------|
| | | | A | B | C | D | | | |
| 227 | 1st RP | 2.05 | 124 | 7 | | | | 4.8 | |
| 227 | 2nd RP | 2.00 | 122 | 6 | | | | 4.6 | |
| 227 | 3rd RP | 2.00 | 122 | 7 | | | | 4.7 | |
| 227 | 4th RP | 2.05 | 121 | 7 | | | | 5.1 | |
| 227 | Dwt. | 2.10 | 48 | 8 | | | | 2.3 | |
| 227 | 1st A | 2.10 | 140 | 8 | | | | 4.2 | |
| 245 | 2nd A | 2.28 | 240 | 43 | | | | 28 | |
| 245 | 2nd A | 2.25 | 240 | 46 | | | | 28 | |
| 260 | Rect. | 5.3 | AD | 0 | | | | 180 | |

Temple Models 8-61—8-81—8-91



TEMPLE—Screen Grid—Models 861-881-891
Line Voltage 110—Set on 110 Volt Tap—Volume Control Position Max

| TUBE NO. | TYPE OF TUBE | POSITION OF TUBE | HEADPHONES PLUG IN SOCKET OF SET | | | | SCREEN GRID | SIGNAL | REMARKS |
|----------|--------------|------------------|----------------------------------|------|------|-----|-------------|--------|---------|
| | | | A | B | C | D | | | |
| 224 | 1st RP | 2.15 | 148 | 1.75 | 1.75 | 3.8 | | | |
| 227 | 2nd RP | 2.15 | 148 | 9 | 9 | 3.5 | | | |
| 224 | 3rd RP | 2.1 | 148 | 1.75 | 1.75 | 3.8 | | | |
| 227 | 4th RP | 2.1 | 148 | 9 | 9 | 3.8 | | | |
| 227 | Dwt. | 2.1 | 48 | | | | | | |
| 227 | 1st A | 2.1 | 140 | 11 | 11 | 4.8 | | | |
| 245 | 2nd A | 2.3 | 228 | 40 | | 28 | | | |
| 245 | 2nd A | 2.3 | 228 | 40 | | 28 | | | |
| 260 | Rect. | 5.3 | | | | 92 | | | |

ABOVE MODELS ALL 1929-30