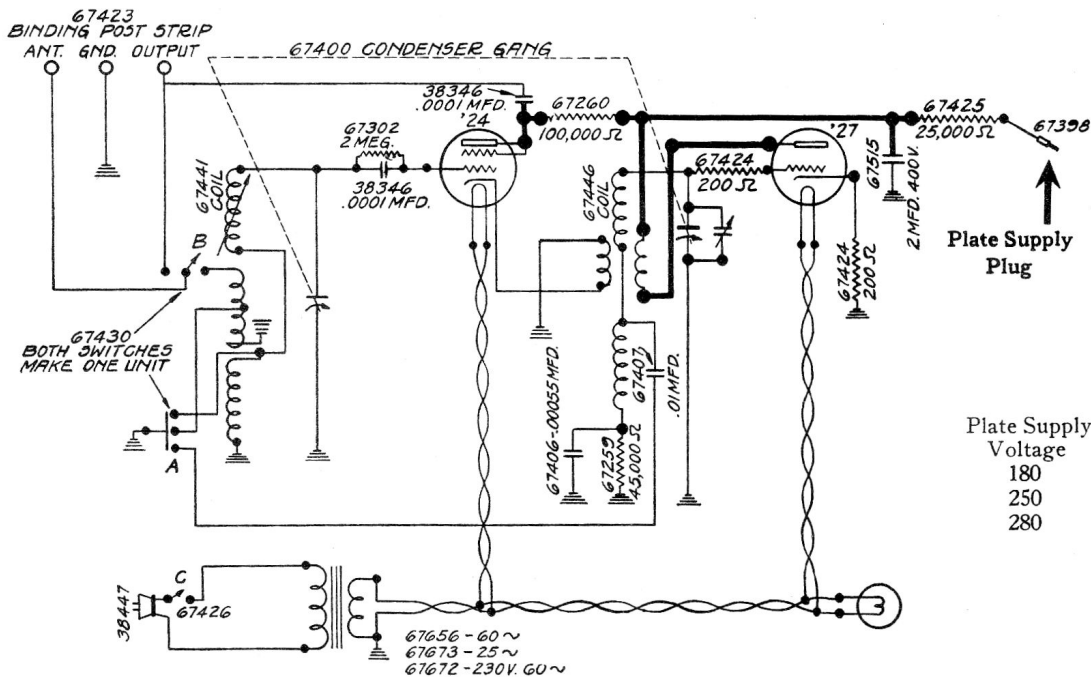
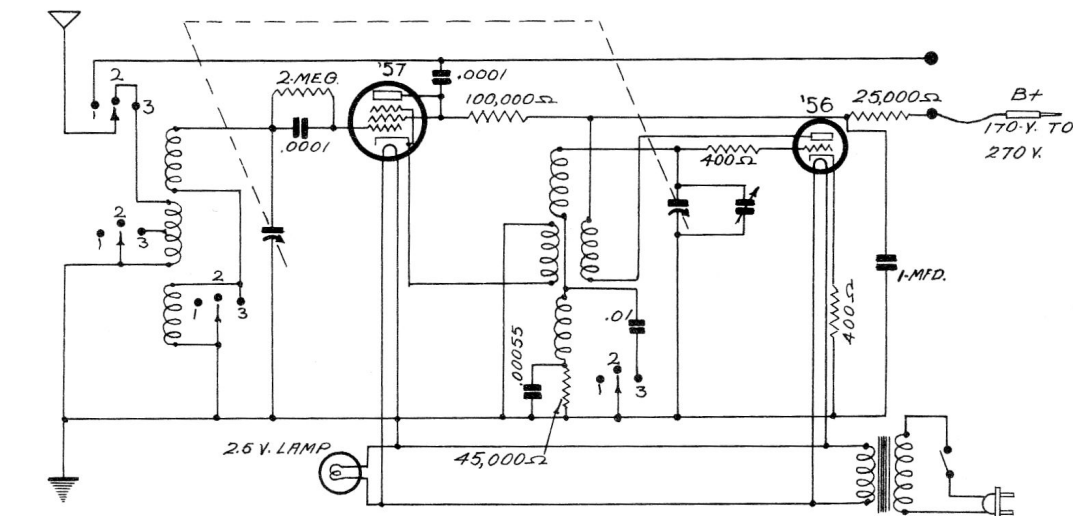


# Circuit Data of Stewart-Warner Short Wave Converter R301-A, B, and E

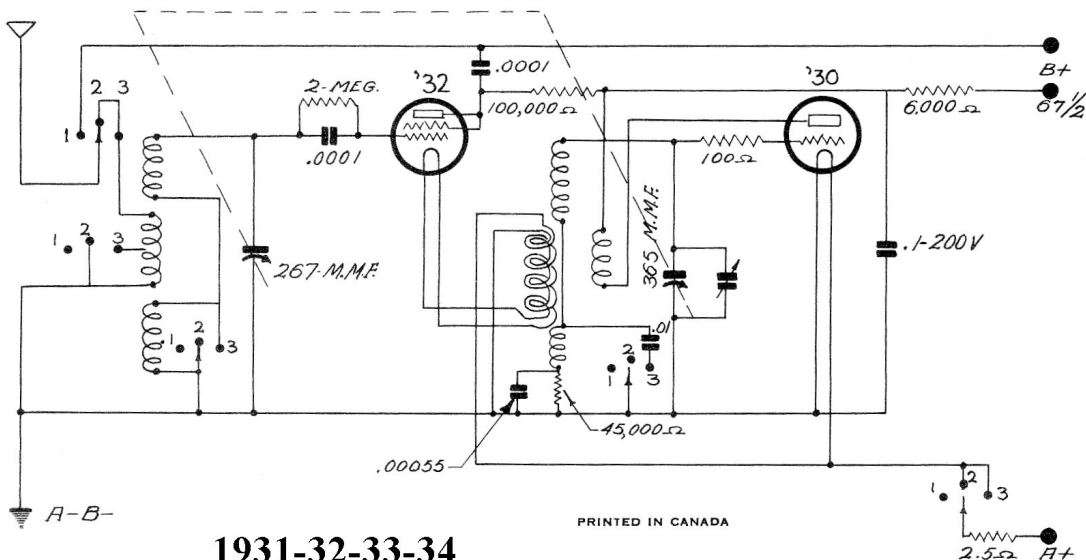


- SWITCH POSITIONS**
- A - 'OFF' IN POSITION 1 AND 2 OF SELECTOR SWITCH  
'ON' IN POSITION 3
  - B - TO OUTPUT POST IN POSITION 1  
TO COIL IN POSITIONS 2 AND 3
  - C - 'OFF' IN POSITION 1 OF SELECTOR SWITCH  
'ON' IN POSITION 2 AND 3 OF SELECTOR SWITCH

Plate Supply Voltage	'24 Plate	'27 Plate
180	26	70
250	34	93
280	37	102



**RIGHT CONVERTER G-81301**



**LEFT CONVERTER MODEL-301-D**