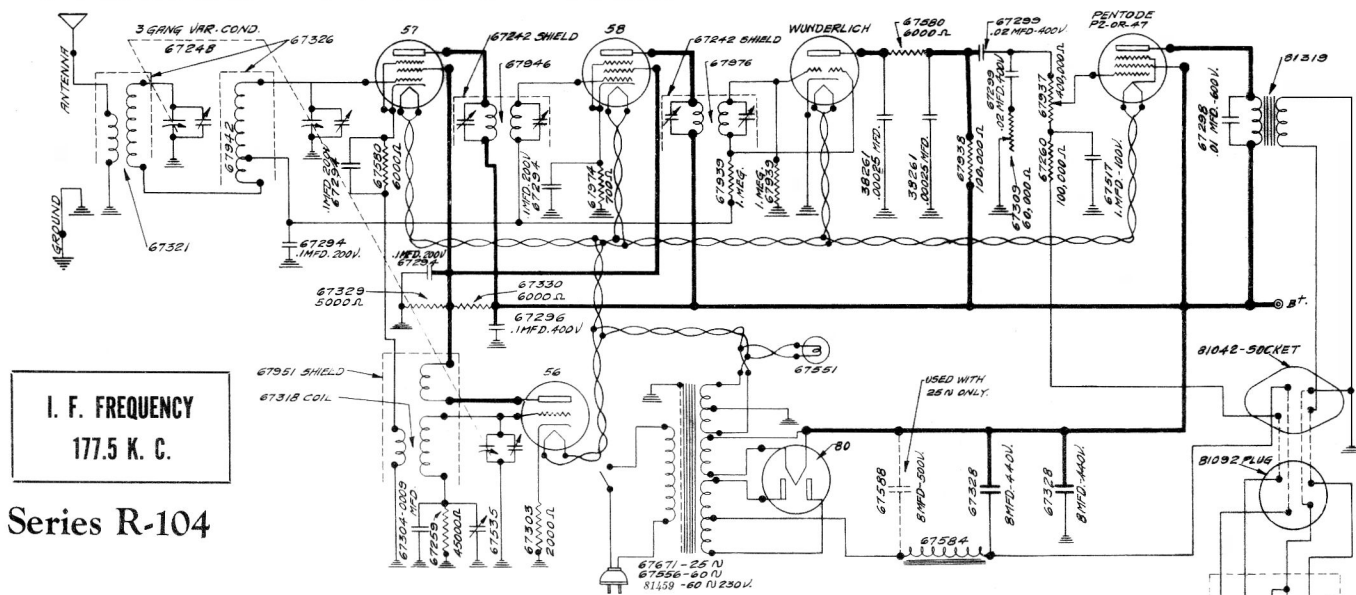


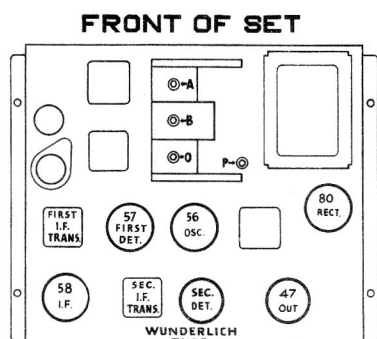
Model R-104 - 1932



VOLTAGE TABLE

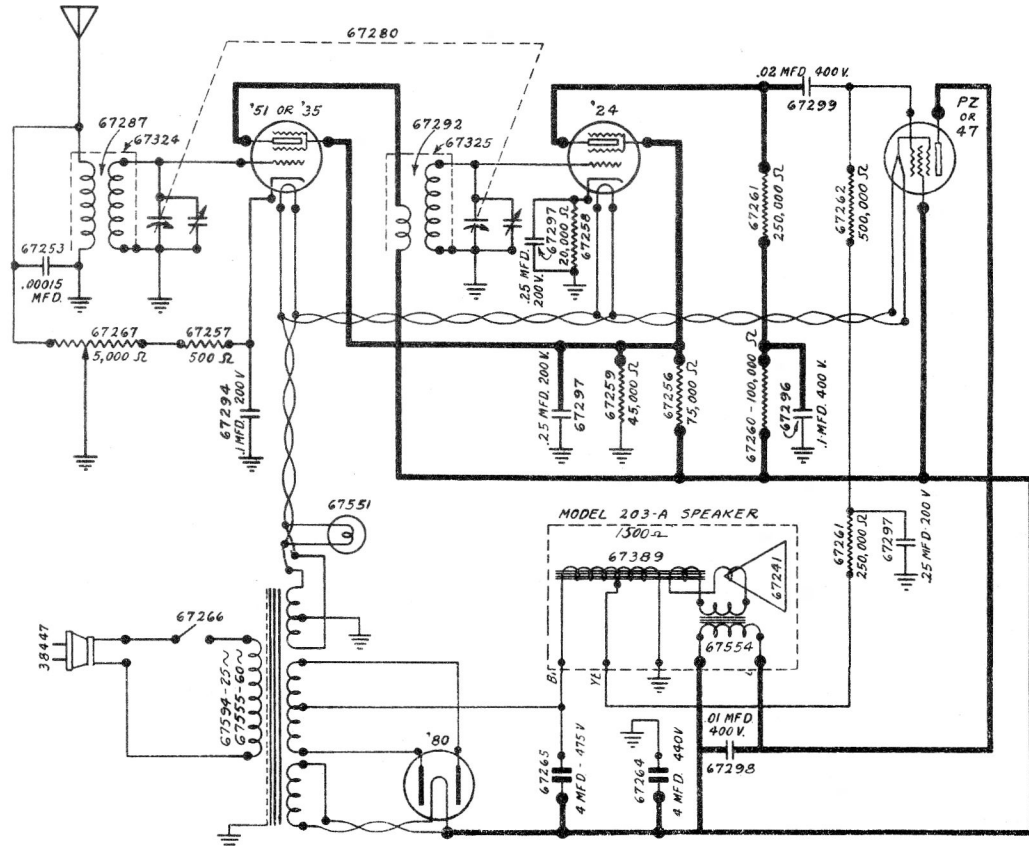
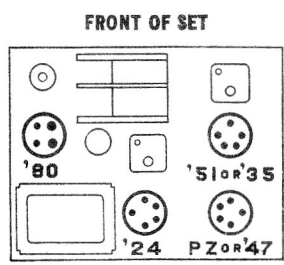
| Type of Tube | Tube Circuit | Filament Voltage | Plate Voltage | Screen Grid Voltage | Bias Voltage |
|--------------|--------------|------------------|---------------|---------------------|--------------|
| '57 | 1st Det. | 2.57 | 256 | 100 | 4.5 |
| '56 | Osc. | 2.57 | 100 | | 7.8 |
| '58 | I. F. | 2.56 | 256 | 100 | 3.9 |
| Wunderlich | 2nd Det. | 2.56 | 37 | | |
| P. Z. or '47 | Output | 2.56 | 239 | 256 | 15.75 † |
| '80 | Rect. | 4.9 | | | |

† All D. C. voltages measured with respect to ground, using high resistance voltmeter of 1000 ohms per volt. Readings will vary, depending upon voltage range of meter, being higher for higher range instruments. This variation is most marked for second detector plate voltages.



FOR RPT. MODEL - R-206 FOR CONSOLES - R-207

Model R-101-A and R-101-B 1931-1932



| Type of Tube | Plate Voltage | Screen Grid Voltage | Bias Voltage |
|--------------|---------------|---------------------|--------------|
| '51 | 243 | 68 | 2.75 |
| '24 | 80 | 68 | 6 |
| PZ or '47 | 228 | 243 | 16 * |

PRINTED IN CANADA

COURTESY STEWART-WARNER 9 HELMITE CORP. LTD.

DATA SHEET