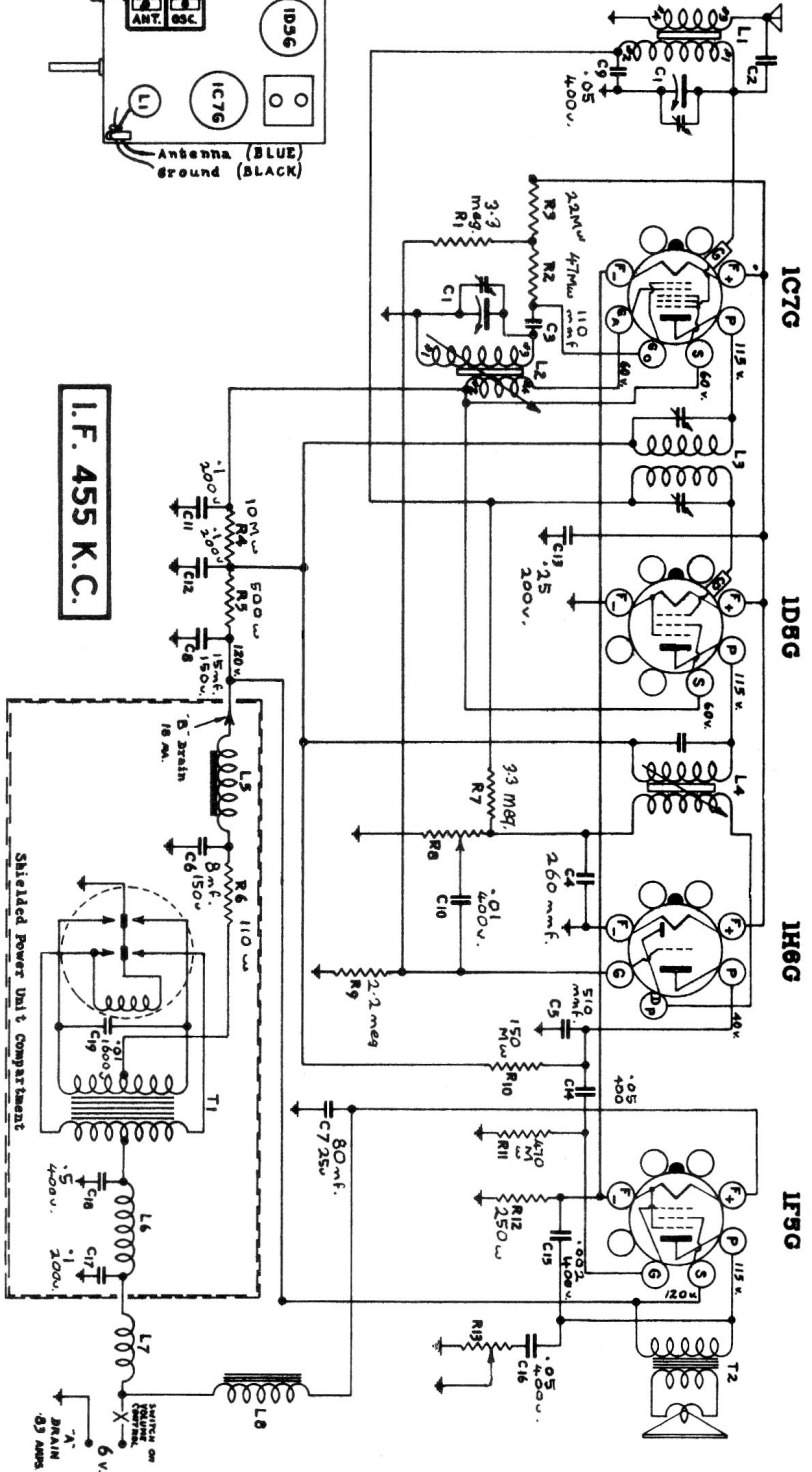


Set the pointer to the horizontal line at the low frequency end of the dial scale with the condenser in full mesh. Proceed with the alignment as follows:

No.	Dummy Antenna In Series with Signal Gen.	Connection of Signal Gen. to Receiver	Signal Gen. Frequency	Receiver Dial Setting	Trimmer Description	Type of Adjustment
1.	.1 mfd cond.	Top grid of IC7G	485 kc	Any point where it does not affect the signal	2nd I. F. 1st I. F.	Adjust for maximum output then repeat adjustment
2.	Standard dummy	Antenna lead	600 kc	600 kc	Oscillator coil I2	Adjust from core to bring in signal
3.	Standard dummy	Antenna lead	1500 kc	1500 kc	On rear section of gang	Adjust oscillator to bring in signal
4.	Standard dummy	Antenna lead	1500 kc	1500 kc	Front gang section.	Adjust for maximum output while rocking gang slightly
5.	Standard dummy	Antenna lead	600 kc	600 kc	Repeat operation number 2.	
6.	Standard dummy	Antenna lead	1500 kc	1500 kc	Repeat operation number 4.	

Note: A 200 mmf condenser may be used in place of the standard dummy.

There should be no hum or "hash" from the vibrator. If either does exist make sure the battery connections are clean and tight. The battery leads from the set MUST NOT be extended beyond that supplied with the receiver, otherwise hum will result and its intensity will increase as the leads are lengthened.



MODEL 472

1940-41