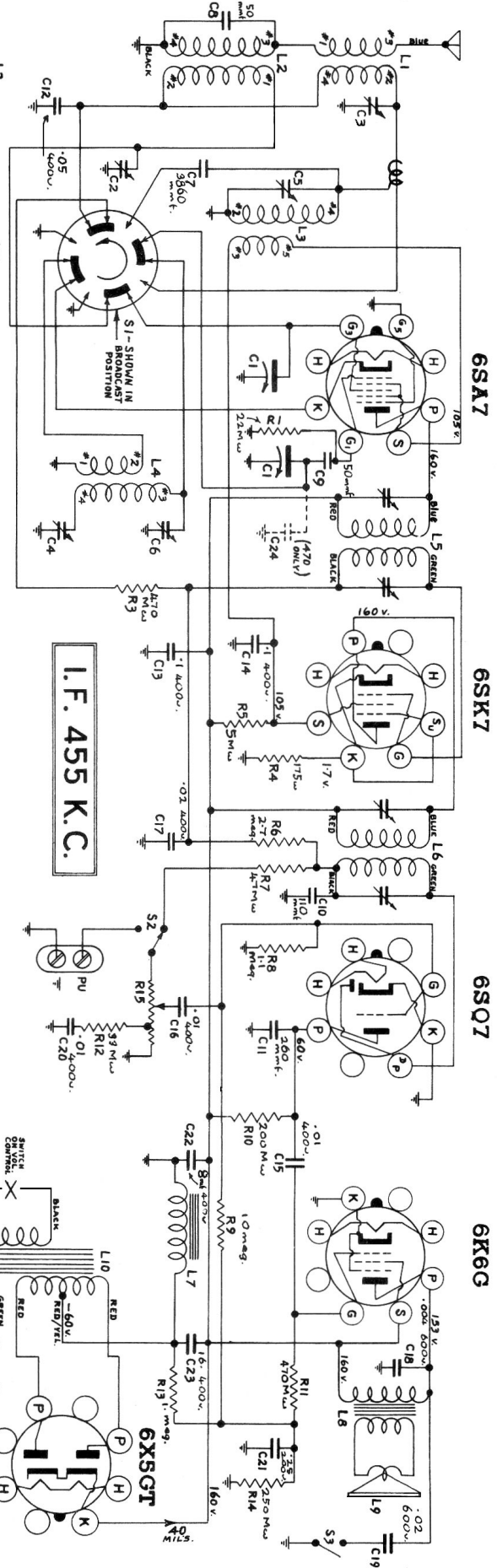
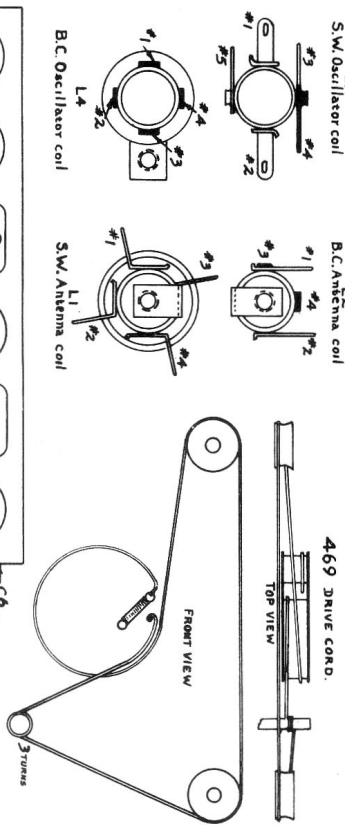
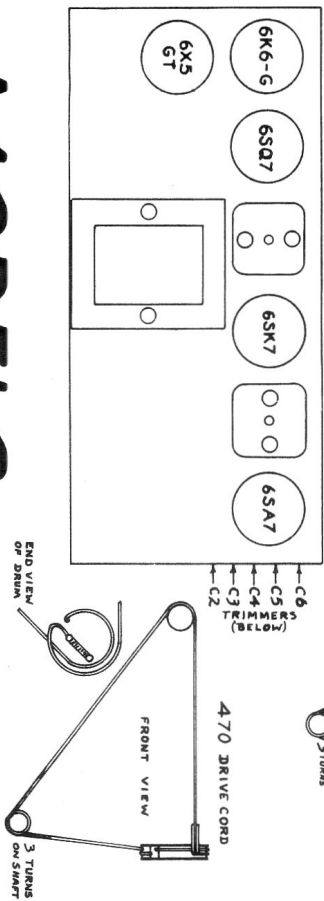


MODELS

469 MANUAL TUNING

470 AUTOMATIC TUNING



1940-41

Phonograph terminals are provided on the back of the chassis and these are connected to the audio circuit when the black switch, near the middle of the rear of the chassis, is moved to the left. These terminals may also be used to connect the audio circuit to reproduce the sound channel of a television receiver. set the tone control switch on the rear of the chassis so that the white dot shows. Proceed with the alignment as follows:

No.	Dummy Antenna	Connection of Signal Gen. to Receiver	Signal Frequency	Receiver Dial Setting	Trimmers to be Adjusted	Description of Adjustment
1.	.1 mfd. Condenser	Terminal of B.C. Trimmer C2	455 kc	A anywhere o-	2nd I. F. 1st I. F.	Peak both transformers for maximum output and then repeat the operation.
2.	Standard Dummy	Antenna lead	600 kc	600 kc on B.C. band	B.C. Oscillator Series C4	Adjust to bring in signal
3.	Standard Dummy	Antenna lead	1500 kc	1500 kc on B.C. band	B.C. Oscillator Trimmer C8	Adjust to bring in signal
4.	Standard Dummy	Antenna lead	1500 kc	1500 kc on B.C. band	B.C. Antenna Trimmer C2	Adjust for maximum output
5.	Standard Dummy	Antenna lead	600 kc	600 kc on B.C. band	B.C. Oscillator Series C4	Adjust for maximum output while rocking the gang
6.	Standard Dummy	Antenna lead	17000 kc	17000 kc on S.W. band	S.W. Oscillator Trimmer C6	Adjust to bring in signal
7.	400 ohm Carbon Resistor	Antenna lead	17000 kc	17000 kc on S.W. band	S.W. Antenna Trimmer C8	Adjust for maximum output while rocking the gang
8.	400 ohm Carbon Resistor	Antenna lead	17000 kc	17000 kc on S.W. band	S.W. Antenna Trimmer C8	Adjust for maximum output while rocking the gang