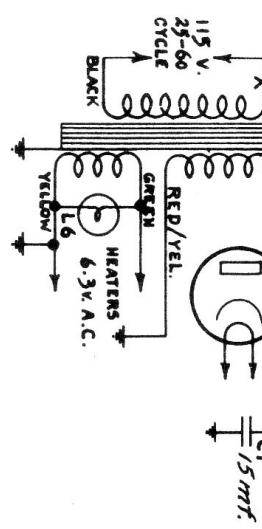
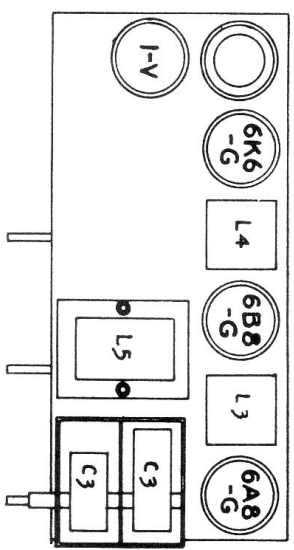
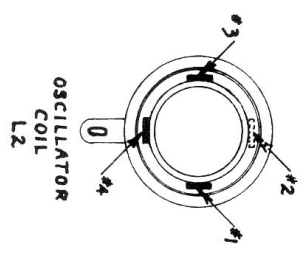
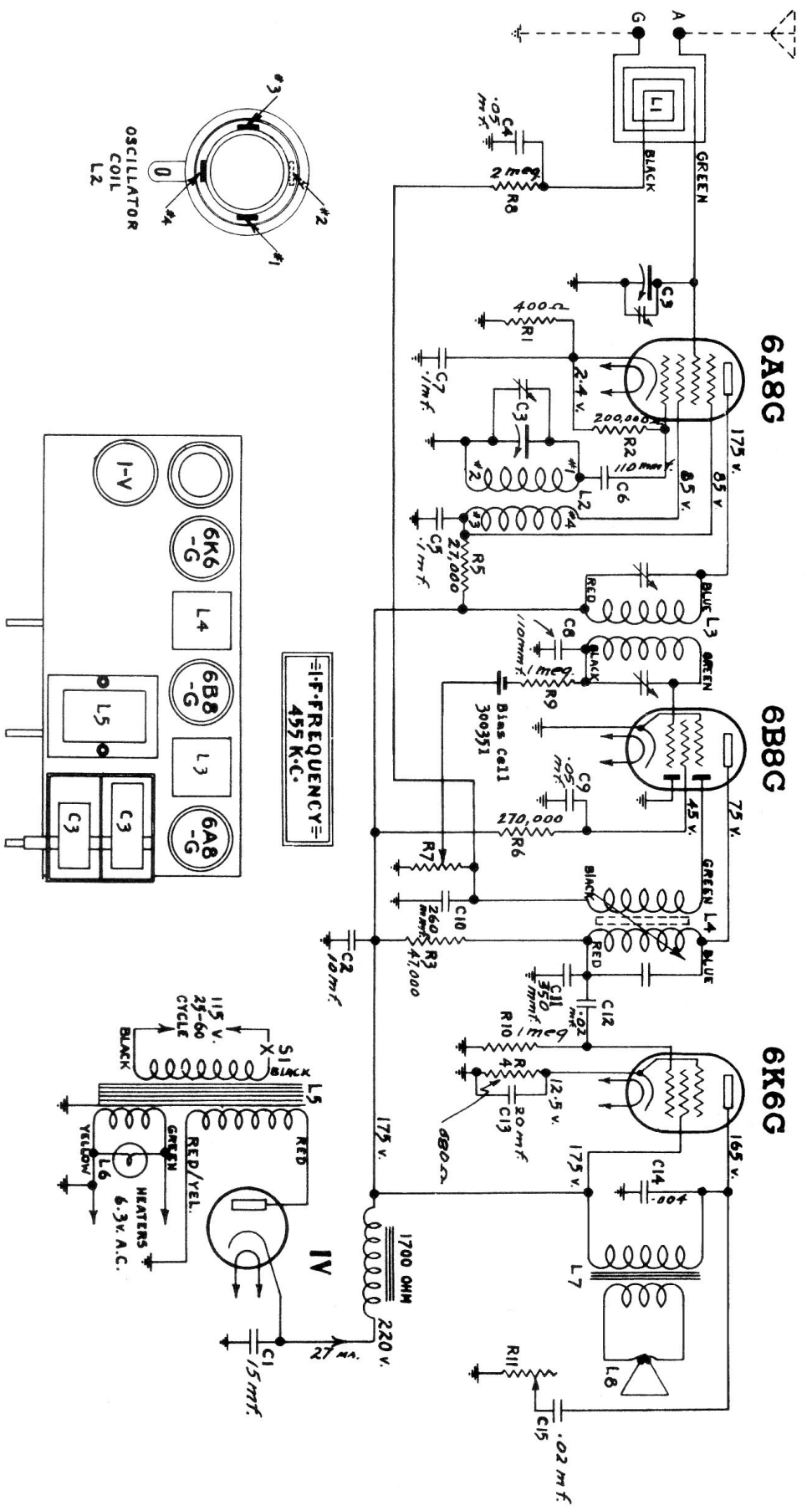


6A8G

6B8G

6K6G



No.	Dummy Antenna	Connection of Signal Generator to Receiver	Signal Generator Frequency	Receiver Dial Setting	Trimmers to be Adjusted	Description of Adjustment
1	.1 mfd cond.	6A8G grid cap	455 kc	Anywhere that does not affect the signal	2nd I.F. 1st I.F.	Peak both transformers for maximum output, then repeat until no further increase in output can be obtained
2	.1 mfd cond.	6A8G grid cap	1500 kc	1500 kc	Oscillator trimmer on front section of gang	Adjust to bring in signal
3	See note	Nil	Nil	Tune to a weak broadcast station at 1500 kc (approx.)	Antenna trimmer on rear section of gang	Adjust for maximum output

NOTE: For adjustment 3, the station should be picked up on the loop antenna and not through the antenna and ground terminals on the rear of the cabinet. If a station cannot be heard, a 1500 kc signal from the test oscillator may be used by loosely coupling it to the loop with one turn of wire spaced about two feet from the receiver and connected to the output of the test oscillator in series with a standard dummy antenna, or 200 mmf condenser.

MODEL
R-456
1939-40