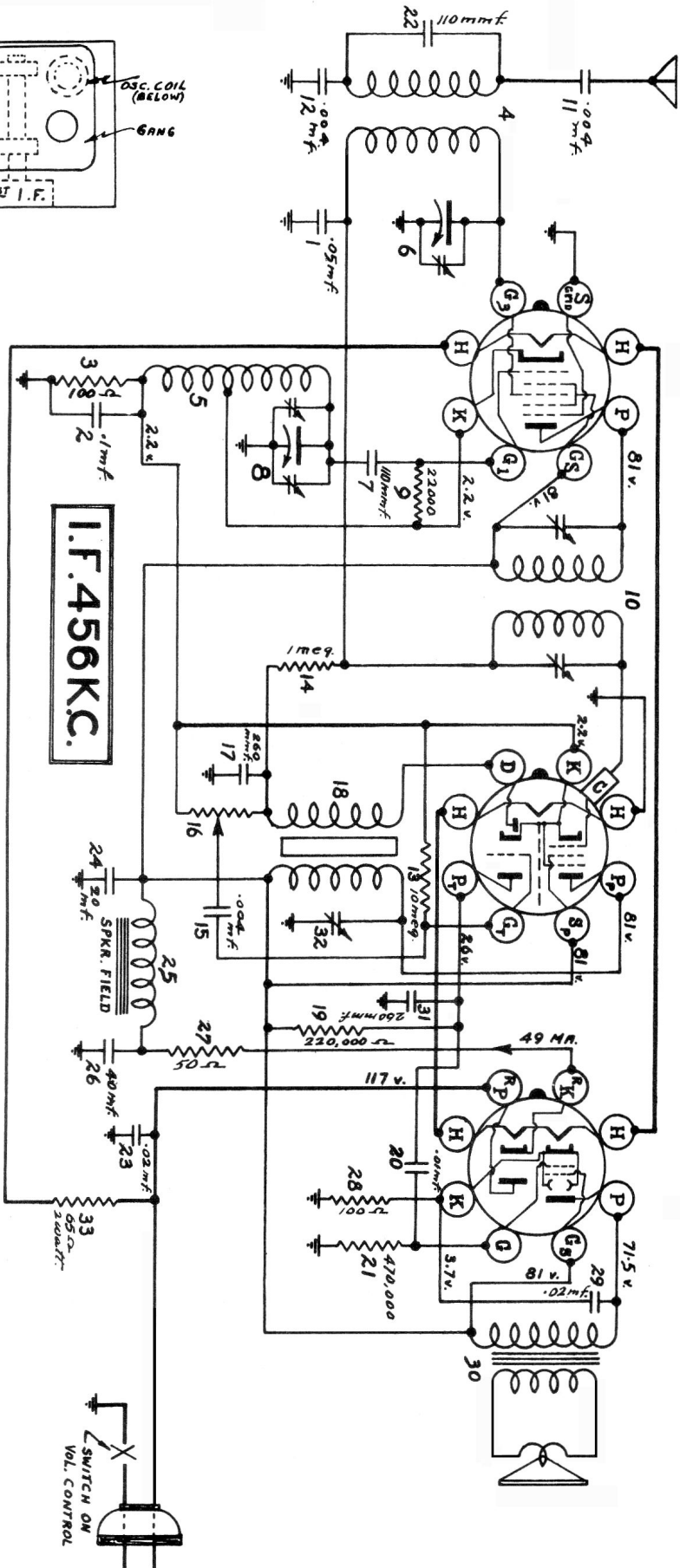


12SA7

25D8GT

70L7GT



ALIGNMENT INSTRUCTIONS

No.	Dummy Antenna	Connection of Signal Gen. to Receiver	Signal Generator Frequency	Receiver Dial Setting	Trimmer to be Adjusted	Description of Adjustment
1.	1 mfd condenser	12SA7 grid G3	456 kc	Any point where it does not affect the signal	2nd I.F. Be-neath, 1st I.F. At side	Peak both transformers for maximum output and then repeat the operation
2.	Standard Dummy	Antenna lead	1500 kc	1500 kc	Oscillator section of gang	Adjust to bring in signal
3.	Standard Dummy	Antenna lead	1500 kc	1500 kc	Antenna section of gang	Adjust for maximum output while rocking the gang slightly

NOTE 1: A 100 mmf condenser may be substituted for the standard dummy antenna.
 NOTE 2: The volume control should be turned on full for all adjustments during alignment.
 If any of the condensers in the receiver require replacement use only the "Genuine Stewart-Warner Parts" because they have been especially designed to withstand the comparatively high temperatures existing in this receiver.

MODEL
R-447
1939-40