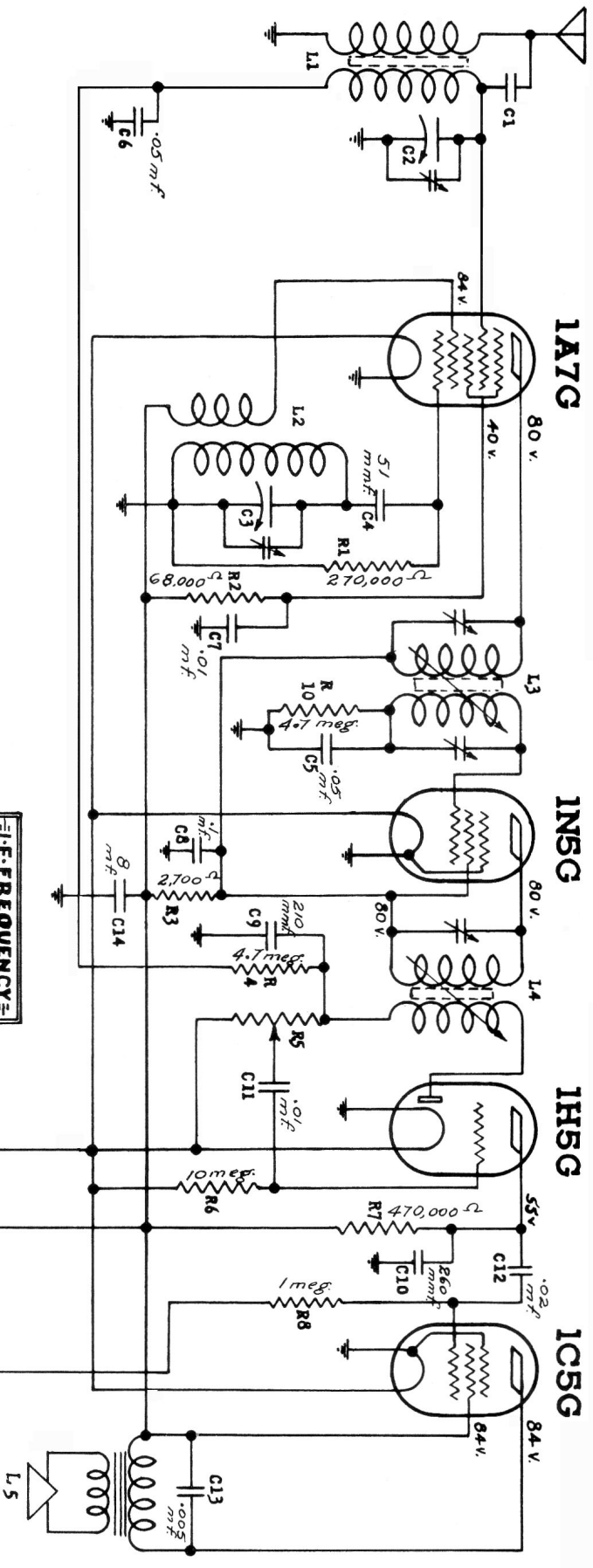


**"Baby Grand Series"  
Model 436**



**ALIGNMENT**

**INTERMEDIATE FREQUENCY:** Connect a test oscillator tuned to 456 kc to the control grid of the 1A7G tube through a .05 mfd condenser with the low side of the oscillator connected to the chassis.

With the gang at the high frequency end adjust the I.F. trimmers for maximum output beginning with the second stage. If appreciable adjustment was required, repeat the operation.

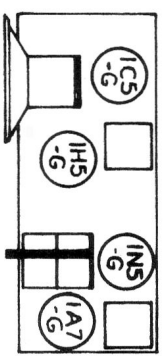
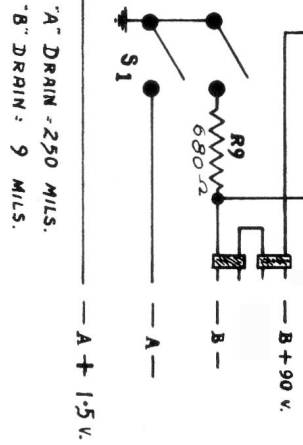
The volume control should be on full and the weakest readable signal used. The output meter may be connected to the speaker voice coil terminals or across the primary of the output transformer through a blocking condenser of .1 mfd or greater.

**R.F. ALIGNMENT:** Connect the test oscillator to the blue antenna wire through a standard broadcast dummy antenna or a 200 mmfd condenser and turn the gang condenser all in to the maximum capacity position. Then with a 538 kc signal input adjust the oscillator trimmer on the gang for a peak. Then change the test oscillator frequency to 1500 kc and tune in this signal by rotating the gang and adjust antenna trimmer on the gang for maximum output. Do not readjust the oscillator trimmer at 1500 kc.

**MODEL R-436**

**I.F. 456 KC.**

**1938-39**



NOTE: ALL VOLTAGES MEASURED FROM TUBE SOCKET TO GROUND (CHASSIS), WITH METER OF 1000 OHMS PER VOLT, ON HIGHEST READABLE RANGE.