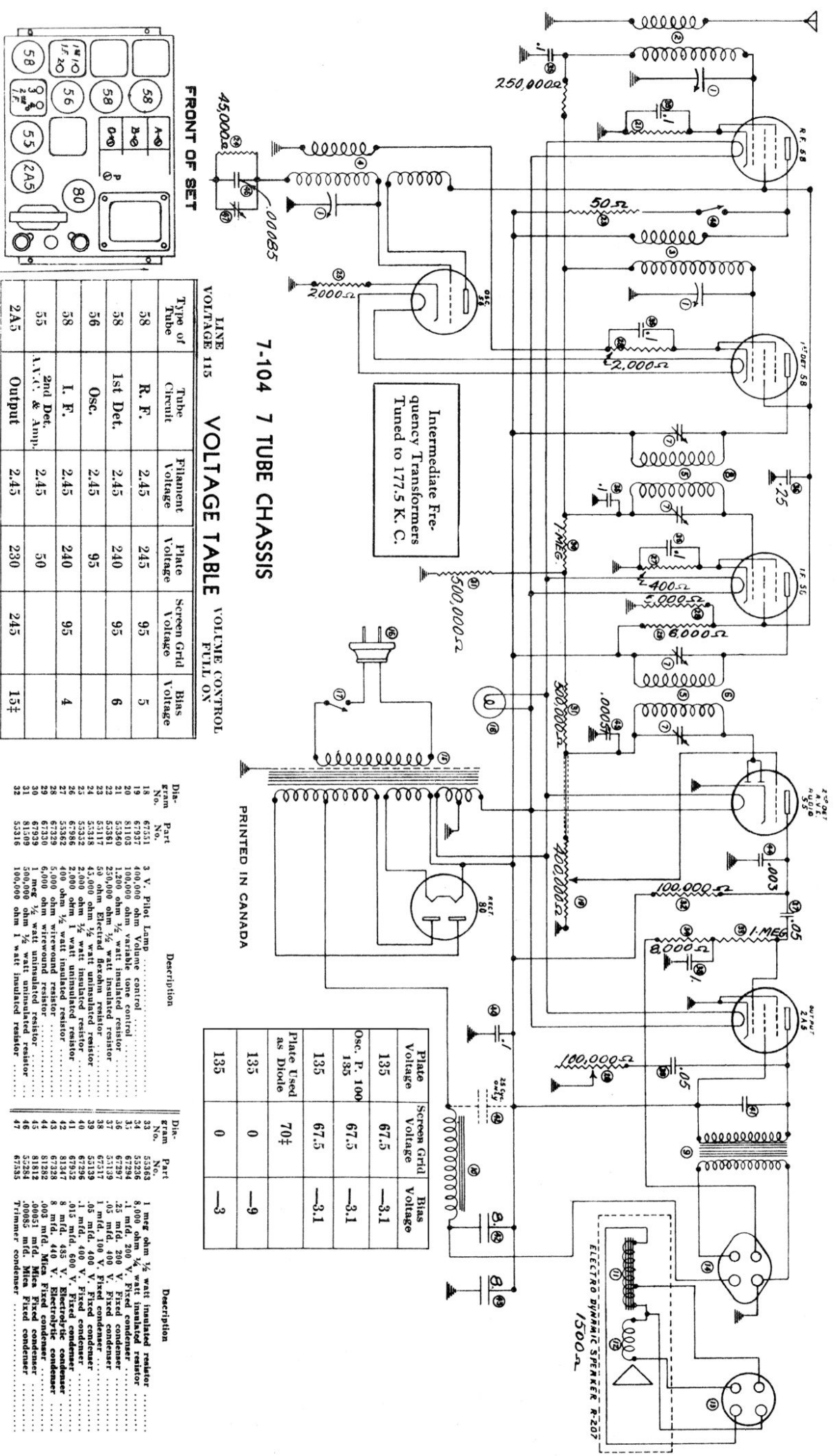


STEWART-WARNER Models 7-104 a - b

1932 - 33 - 34



7-104 7 TUBE CHASSIS

LINE VOLTAGE 115 VOLTAGE CONTROL FULL ON

Tube	Type of Tube	Tube Circuit	Filament Voltage	Plate Voltage	Screen Grd. Voltage	Bias Voltage
58	R. F.	R. F.	2.45	245	95	5
58	1st Det.	1st Det.	2.45	240	95	6
56	Osc.	Osc.	2.45	95		
58	I. F.	I. F.	2.45	240	95	4
55	2nd Det. A.V.C. & Amp.	2nd Det. A.V.C. & Amp.	2.45	50		
2A5	Output	Output	2.45	230	245	15±

Part No.	Description	Part No.	Description
18	3 V. Pilot Lamp	33	1 meg ohm 1/2 watt insulated resistor
19	400,000 ohm Volume control	34	8,000 ohm 1/2 watt insulated resistor
20	100,000 ohm variable tone control	35	1,000 ohm 1/2 watt insulated resistor
21	1200 ohm 1/2 watt insulated resistor	36	.25 mfd. 200 V. Fixed condenser
22	500 ohm 1/2 watt insulated resistor	37	.05 mfd. 100 V. Fixed condenser
23	53,000 ohm 1/2 watt unshielded resistor	38	.05 mfd. 100 V. Fixed condenser
24	53,338 ohm 1/2 watt unshielded resistor	39	.05 mfd. 400 V. Fixed condenser
25	53,332 ohm 1/2 watt unshielded resistor	40	.015 mfd. 400 V. Fixed condenser
26	2,000 ohm 1/2 watt unshielded resistor	41	.015 mfd. 400 V. Fixed condenser
27	52,382 ohm 1/2 watt unshielded resistor	42	8 mfd. 450 V. Electrolytic condenser
28	52,382 ohm 1/2 watt unshielded resistor	43	.005 mfd. Mica Fixed condenser
29	6,000 ohm wirewound resistor	44	.005 mfd. Mica Fixed condenser
30	1 meg 1/2 watt unshielded resistor	45	.0085 mfd. Mica Fixed condenser
31	500,000 ohm 1/2 watt unshielded resistor	46	.0085 mfd. Mica Fixed condenser
32	100,000 ohm 1/2 watt insulated resistor	47	Trimmer condenser

Plate Voltage	Screen Grd. Voltage	Bias Voltage
135	67.5	-3.1
Osc. P. 100	67.5	-3.1
135	67.5	-3.1
Plate Used as Diode	70±	
135	0	-9
135	0	-3