

RF. 166^v 3.9 ma
 Det 185^v 6. ma
 1AF 182^v 5.7 ma
 PWR 260^v 24. ma

1929-30

Series 950

951 Table

952 Table

953 Chassis
 (60 Cycle)

961 Table

962 Table

963 Chassis
 (25 Cycle)

Draw Type

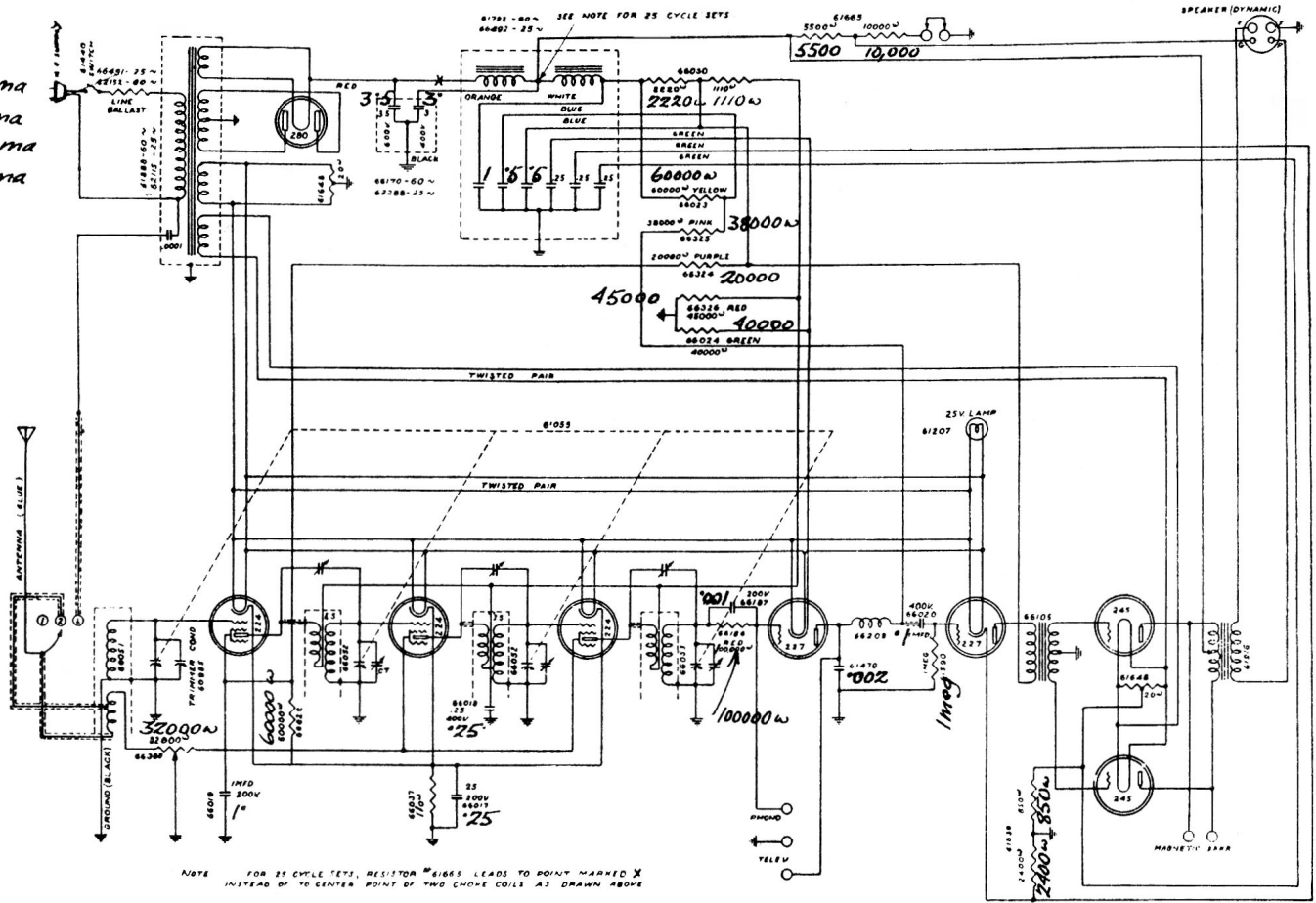
Chassis

Fitted in

Low Boy

High Boy

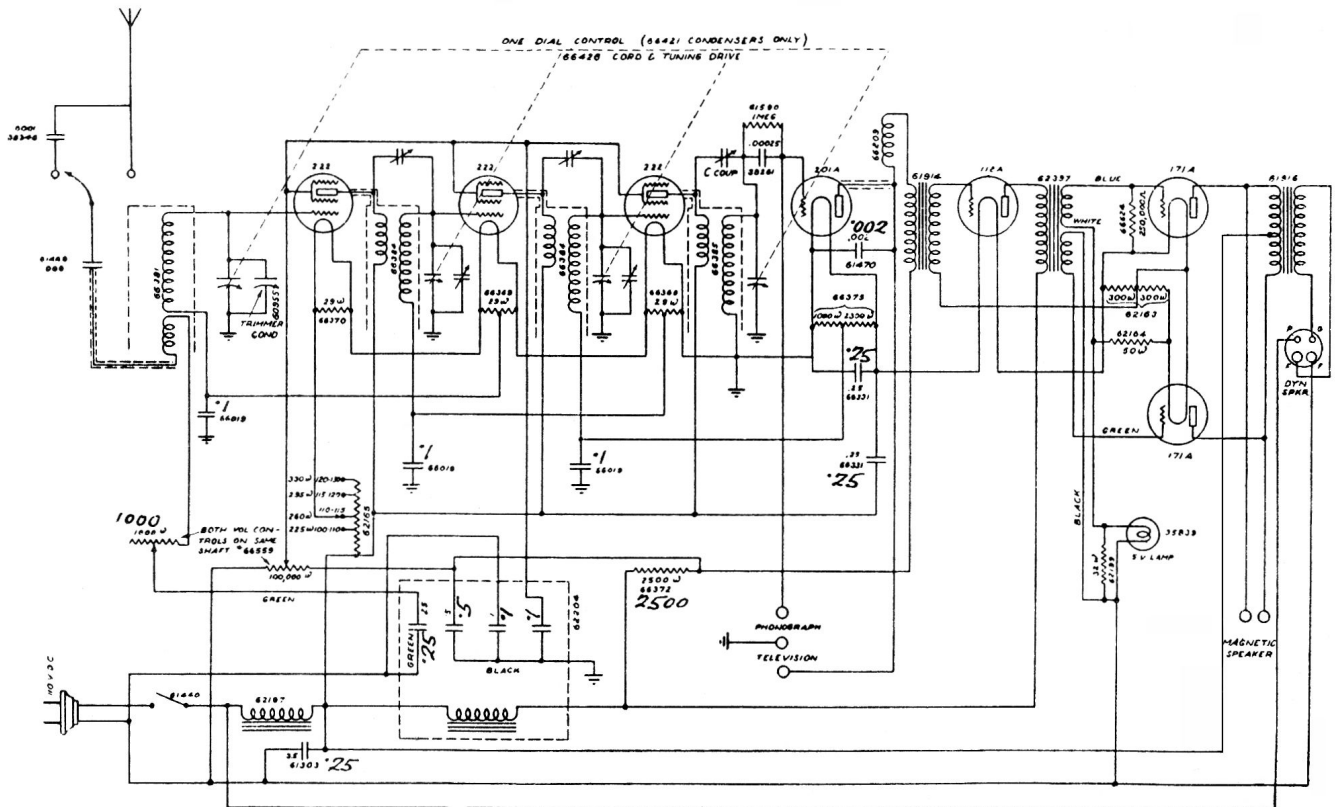
Phono-Comb.



NOTE FOR 25 CYCLE SETS, RESISTOR 81666 LEADS TO POINT MARKED X INSTEAD OF TO CENTER POINT OF TWO CHOKE COILS AS DRAWN ABOVE

Circuit Diagram for Stewart-Warner 950 Series A. C. Receivers

1929
 Series
 950
 110 Volt
 D.C.
 Receiver



Circuit Diagram of Stewart-Warner 950 Series D. C. Receiver 1929-30

Printed in Canada

—Courtesy Stewart Warner Speedometer Corp.

DATA SHEET

STEWART WARNER—6