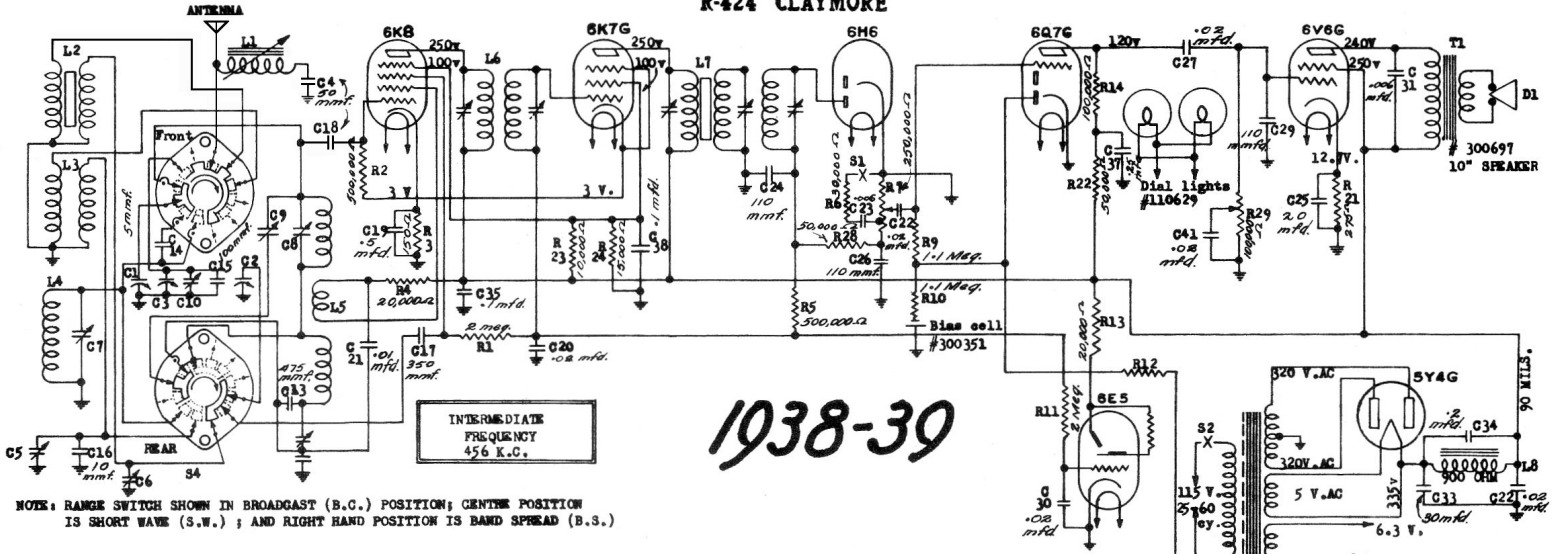
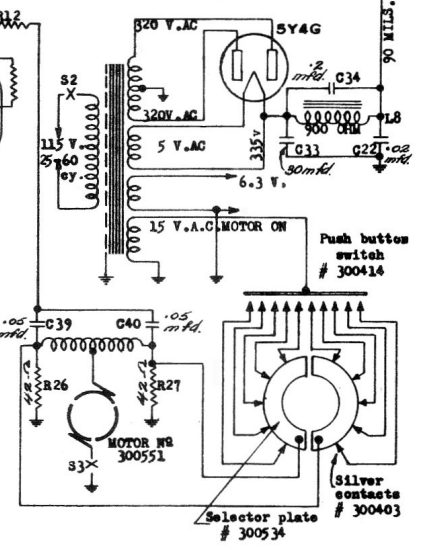
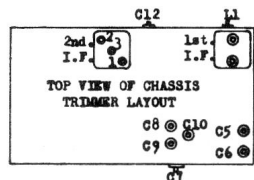


R-424 CLAYMORE

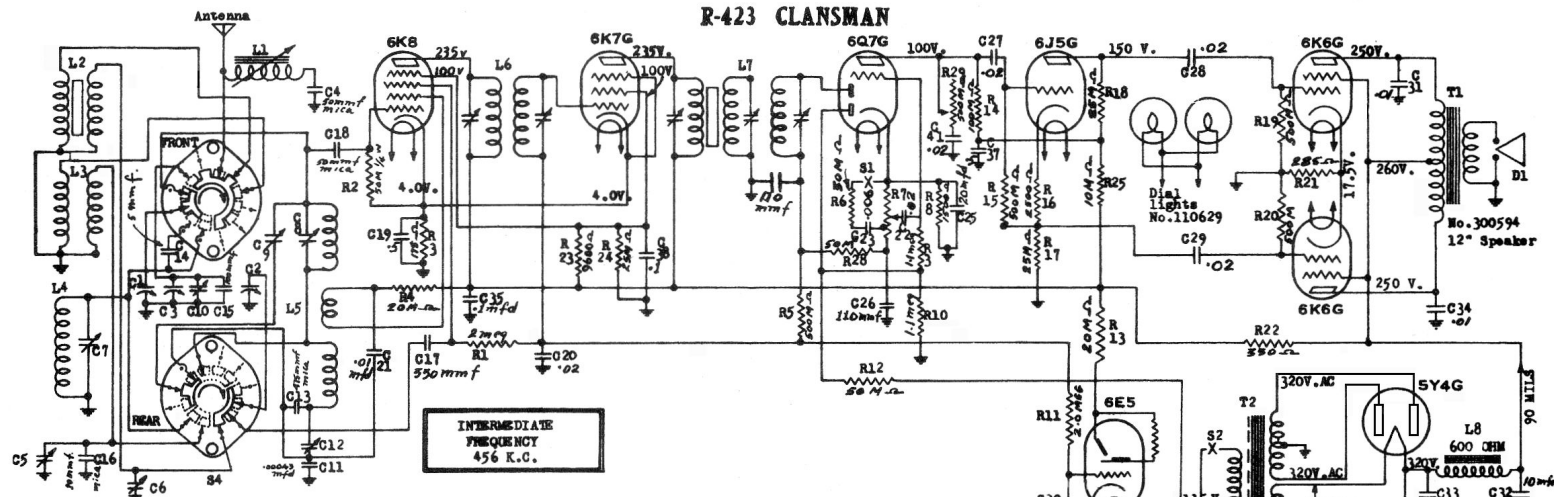


NOTE: RANGE SWITCH SHOWN IN BROADCAST (B.C.) POSITION; CENTER POSITION IS SHORT WAVE (S.W.); AND RIGHT HAND POSITION IS BAND SPREAD (B.S.)

MODEL R-424
 Alignment Data Same as
 Model R-422 on Data Sheet-63



R-423 CLANSMAN



NOTE: RANGE SWITCH SHOWN IN BROADCAST (B.C.) POSITION. CENTER POSITION IS SHORT WAVE (S.W.) AND RIGHT HAND POSITION IS BAND SPREAD (B.S.)

MODEL R-423
 Alignment Same as For Model
 R-422 on Data Sheet-63

