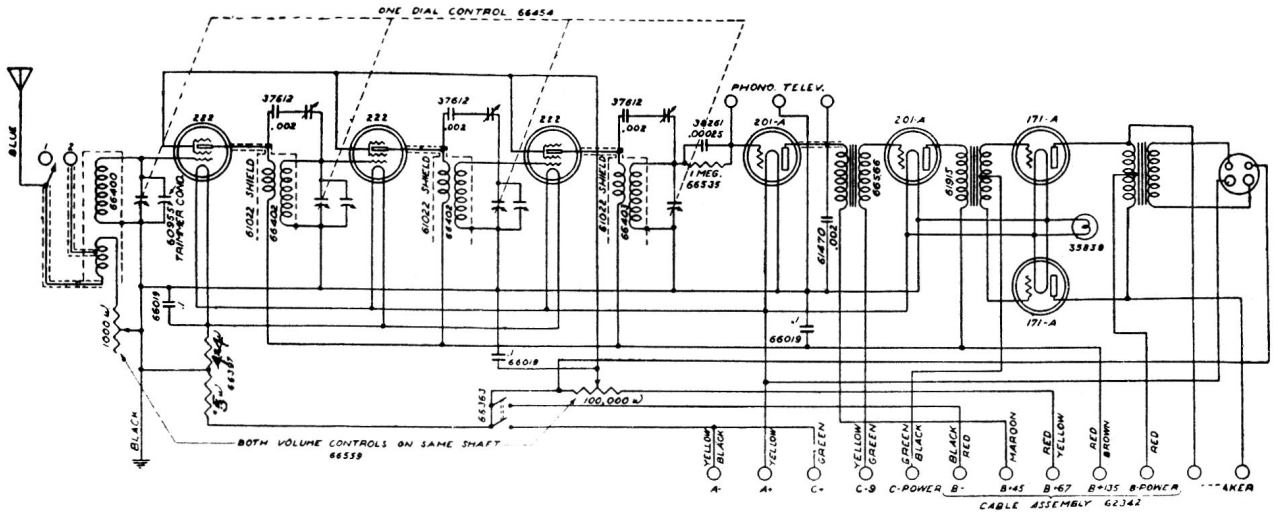


1929
Series
950
Battery
Operated



CIRCUIT DIAGRAM OF 950 SERIES BATTERY SCREEN-GRID RECEIVER
1929-30

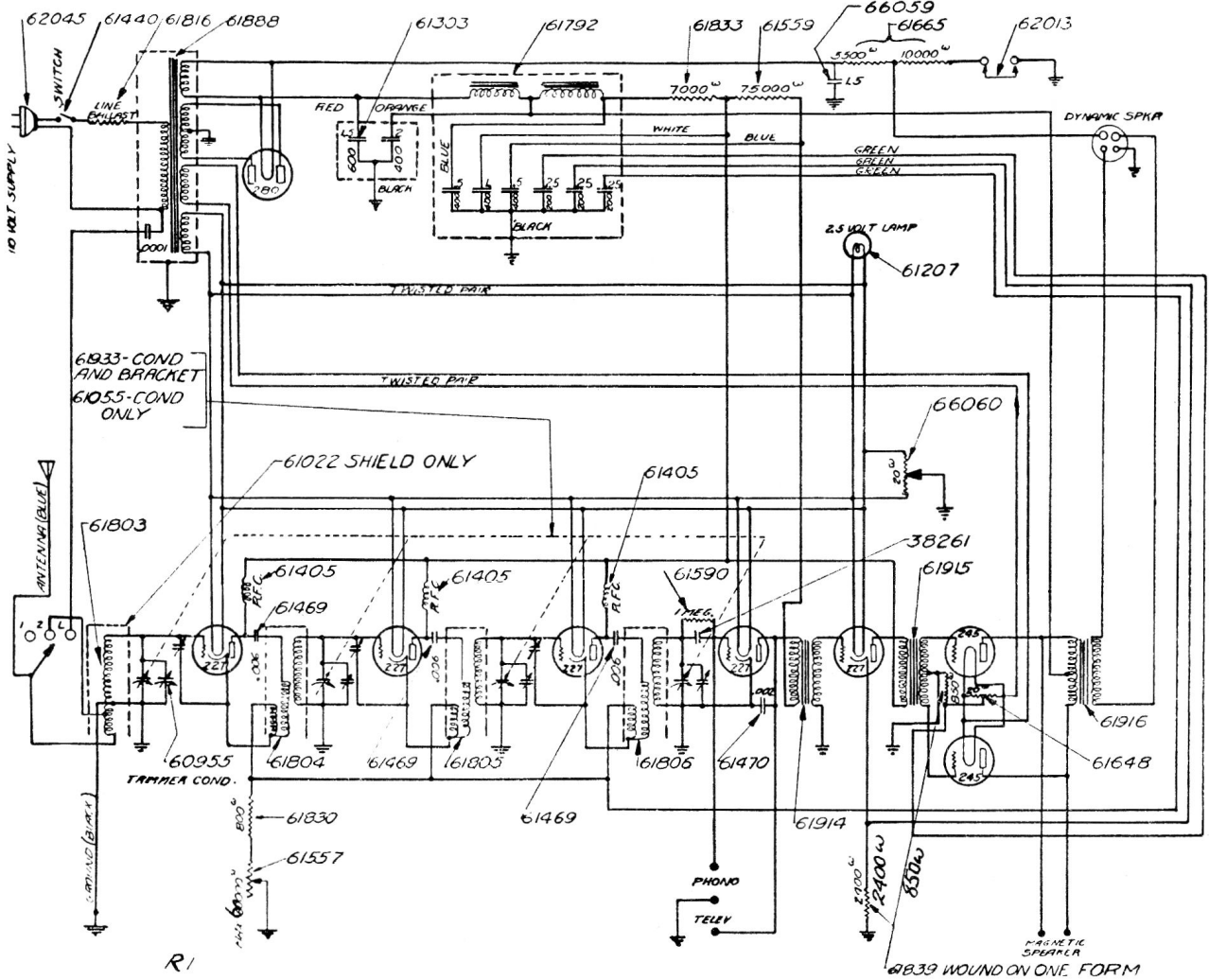
1929
Series
900

901 Table
902 Table
903 Chassis
(60 Cycle)

911 Table
912 Table
913 Chassis
(25 Cycle)

Draw Type
Chassis
Fitted in
Low Boy
High Boy
Phono-Comb.

RF. 132^v 3.2 ma
Det 32^v 2.8 ma
1AF 132^v 5.4 ma
2AF 226^v 30 ma



CIRCUIT DIAGRAM OF 900 SERIES A. C. BALANCED BRIDGE RECEIVERS
1929-30

Printed in Canada

—Courtesy Stewart Warner Speedometer Corp.