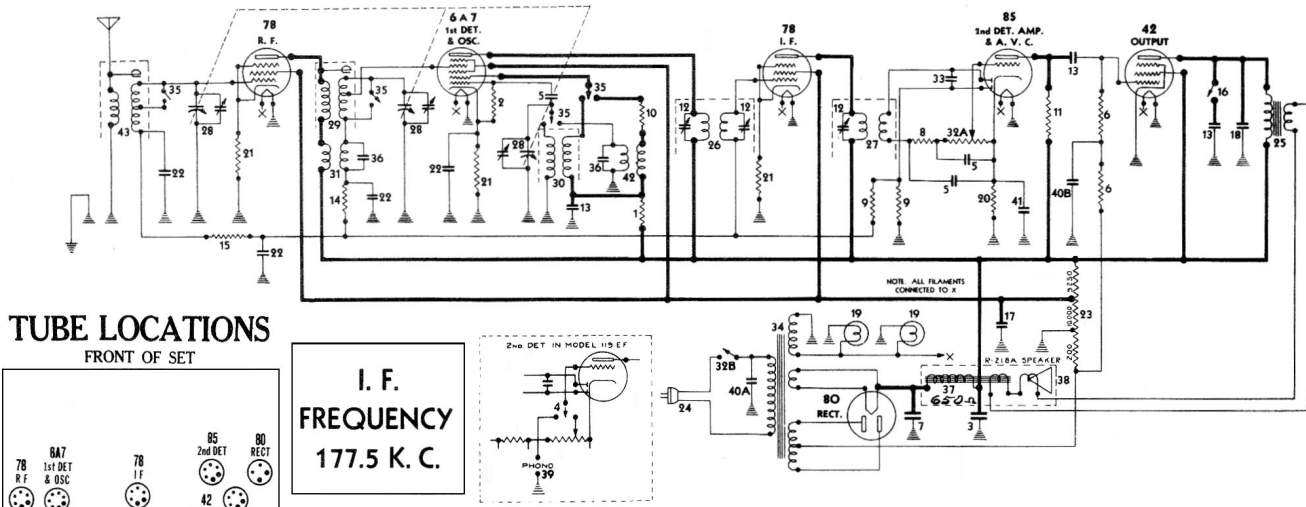
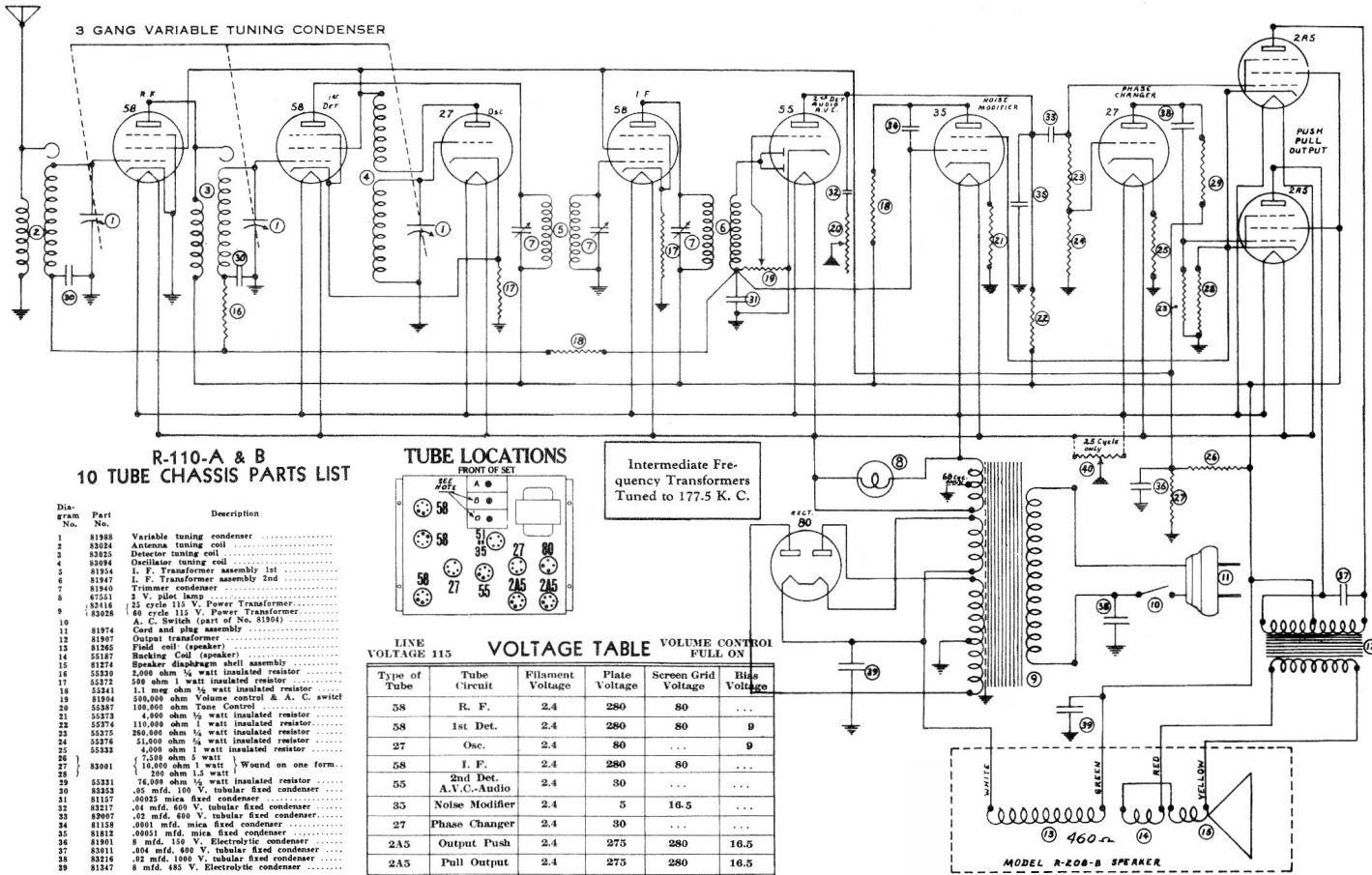


Models R 110 a-b 1933-34



Line Voltage 115 A.C. VOLTAGE TABLE

Type of Tube	Position in Circuit	Filament Voltage	Plate Voltage	Screen Grid Voltage	Control Voltage	Cathode (Bias) Voltage
78	R. F.	6.1	260	104	...	3.2
6A7*	1 Det. & Osc.	6.1	260	104	...	3.0
78	I. F.	6.1	260	104	...	3.0
85	2nd Det	6.1	50	17.5
42	Output	6.1	247	260	-1.8†	0
80	Rectifier	5.1	320 Volts D. C. From Filament to Ground			

* Oscillator plate voltage 175; Oscillator grid voltage -5.
† Actual bias on 42 tube is 17.3 volts measured across 200 ohm section of voltage divider.
Speaker Field Voltage, 60.

VOLUME CONTROL FULL ON

Type of Tube	Tube Circuit	Filament Voltage	Plate Voltage	Screen Grid Voltage	Bias Voltage
58	R. F.	2.4	280	80	...
58	1st Det.	2.4	280	80	9
27	Osc.	2.4	80	...	9
58	I. F.	2.4	280	80	...
55	2nd Det. A.V.C.-Audio	2.4	30
35	Noise Modifier	2.4	5	16.5	...
27	Phase Changer	2.4	30
2A5	Output Push	2.4	275	280	16.5
2A5	Pull Output	2.4	275	280	16.5

DATA SHEET

PRINTED IN CANADA

COURTESY
STEWART-WARNER 16
ALEMITE CORP. LTD.