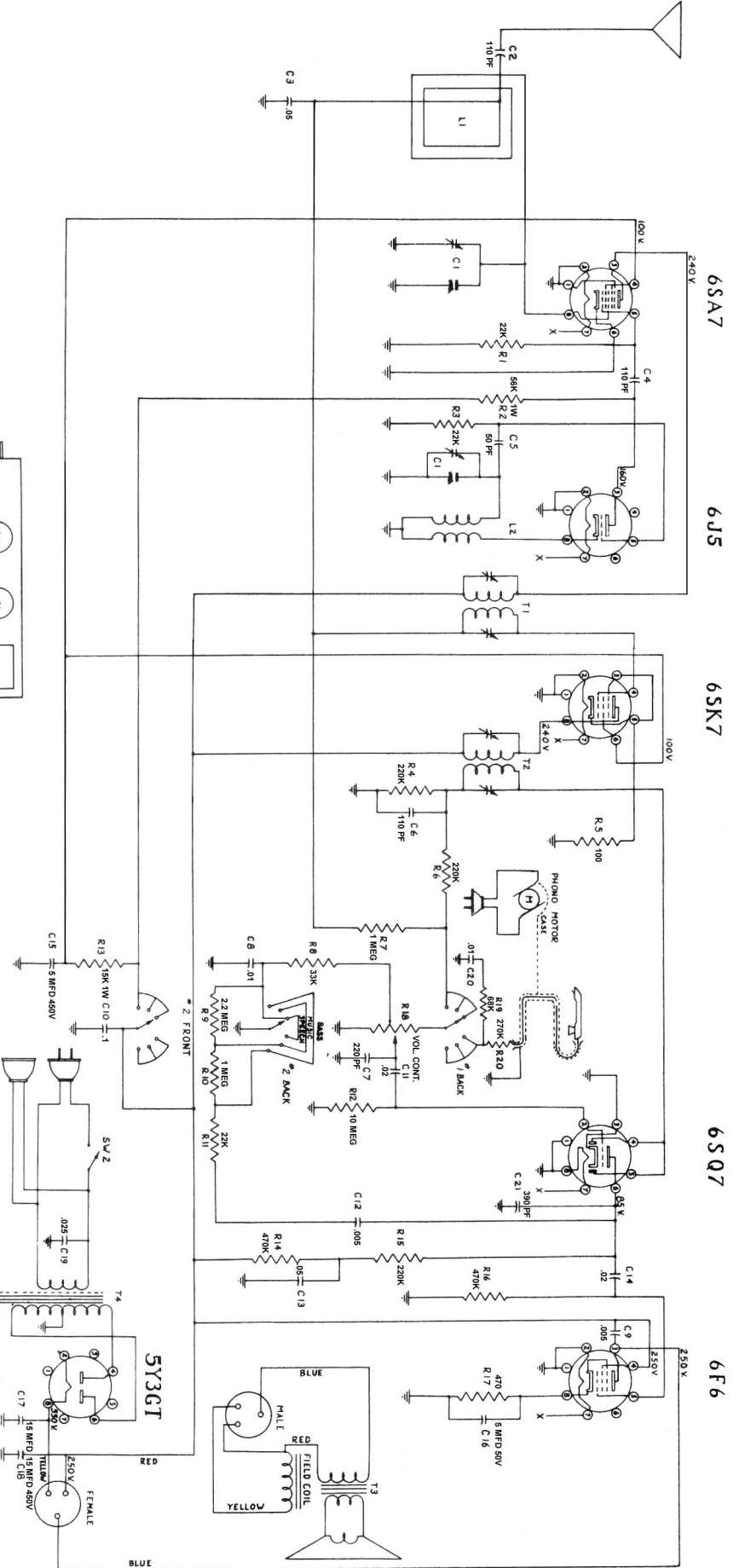
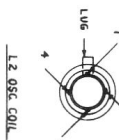
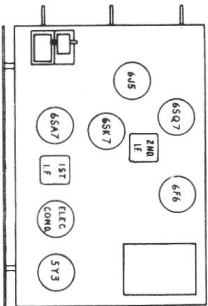


# 1947-48



## ALIGNMENT PROCEDURE

Order of Alignment	Connection to Receiver	Dummy Antenna	Signal Generator Frequency Setting	Range Selector	Recv'r Dial Setting	Circuit to Adjust & Adjustment Symbol
--------------------	------------------------	---------------	------------------------------------	----------------	---------------------	---------------------------------------

- Control Grid  
6SA7 Tube—  
Pin # 8      0.1 uf  
condenser      455 kc      Best.  
Band      1500 kc      2nd I.F.—T<sub>2</sub>  
1st I.F.—T<sub>1</sub>

- Antenna Lead      200 uuf      1500 kc      Best.  
Band      1500 kc      Trimmers—C<sub>1</sub>  
(Adjust. Osc.  
Trimmer first)

# AC MODEL R 570

# IF=455 KC.