

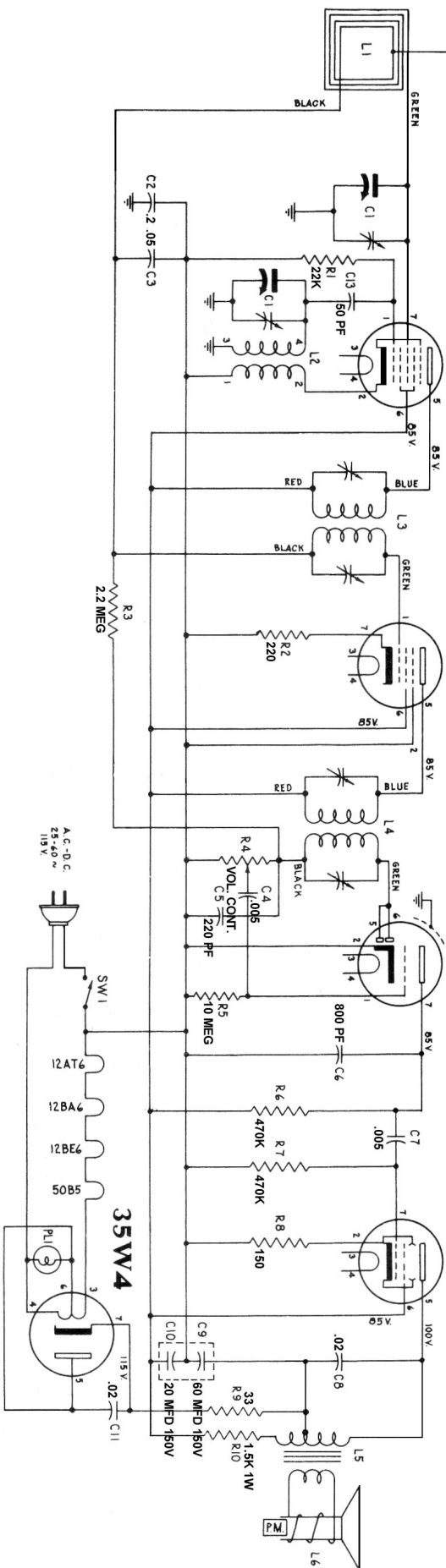
110 PF C12

12BE6

12BA6

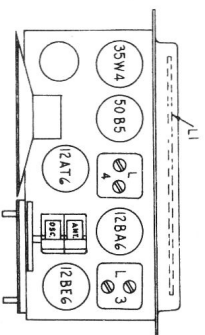
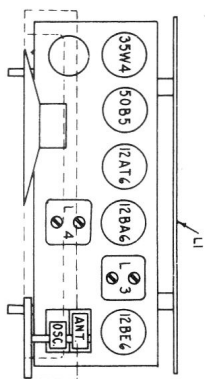
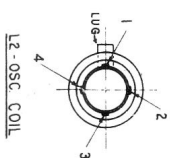
12AT6

50B5



IF. = 455 KC.

1947-48



NOTE-- ALL VOLTAGES MEASURED FROM TUBE SOCKET TO "B" - WITH METER OF 1000 OHMS PER VOLT ON HIGHEST READABLE RANGE.

NOTE-- GROUNDING OF CENTER STUD ON TUBE SOCKETS 12BE6, 12BA6, 12AT6, IS NECESSARY TO REDUCE CAPACITY COUPLING BETWEEN OTHER PINS. OSCILLATION MAY RESULT IF THIS GROUND IS OMITTED

No.	Dummy Antenna	Connection of Signal Generator to Receiver	Signal Gen. Freq.	Receiver Dial Setting	Trimmers To Be Adjusted	Description of Adjustment
1.	.1 mfd. cond.	Stator of Antenna section of Gang. (Rear)	455 Kc.	Gang. open	2nd I.F. 1st I.F.	Peak both transformers for maximum output then repeat until no further increase in output is obtained.
2.	.1 mfd. cond.	Stator of Antenna section of Gang. (Rear)	1500 Kc.	1500 Kc.	Osc. Trimmer on front section of Gang.	Adjust to bring in signal.
3.	Standard Dummy or 200 mmfd. cond.	Antenna wire	1500 Kc.	1500 Kc.	Trimmer on rear of Gang.	Adjust for maximum output.

AC-DC
MODEL
R 550
R 552