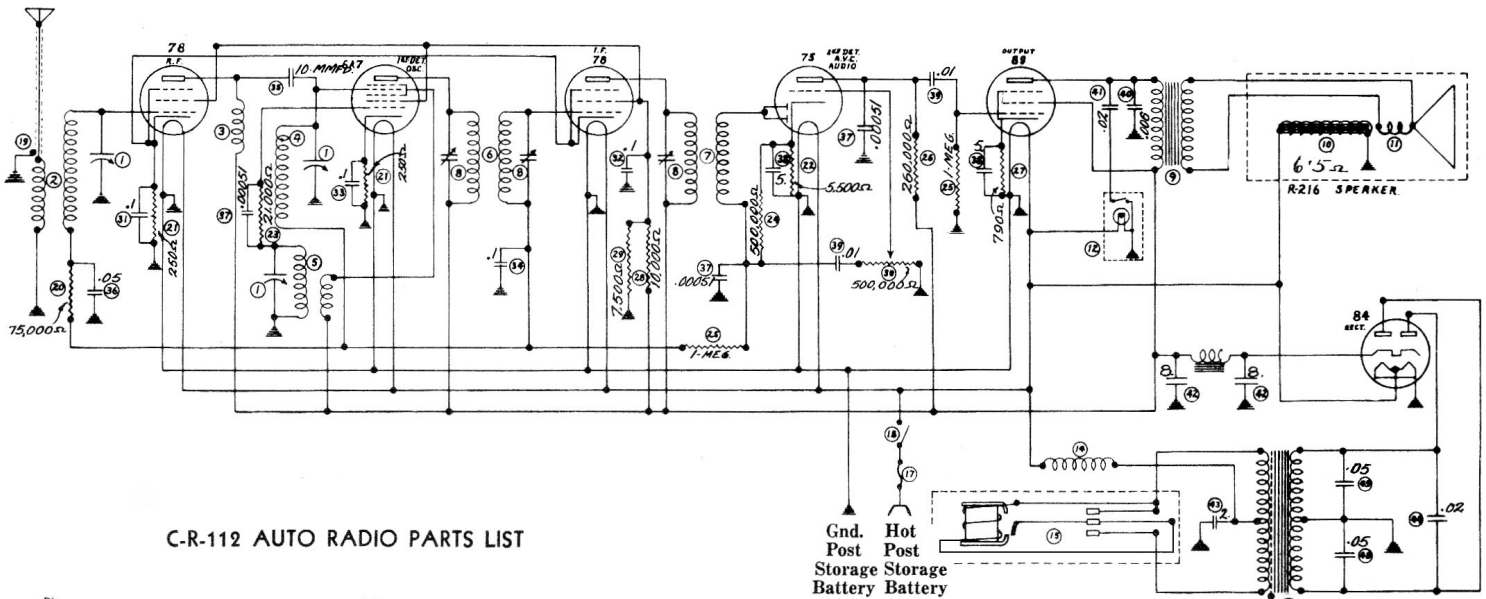


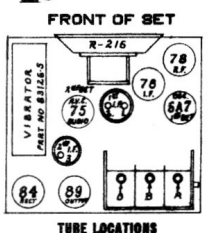
Model - C.R. 112 - 1933-34



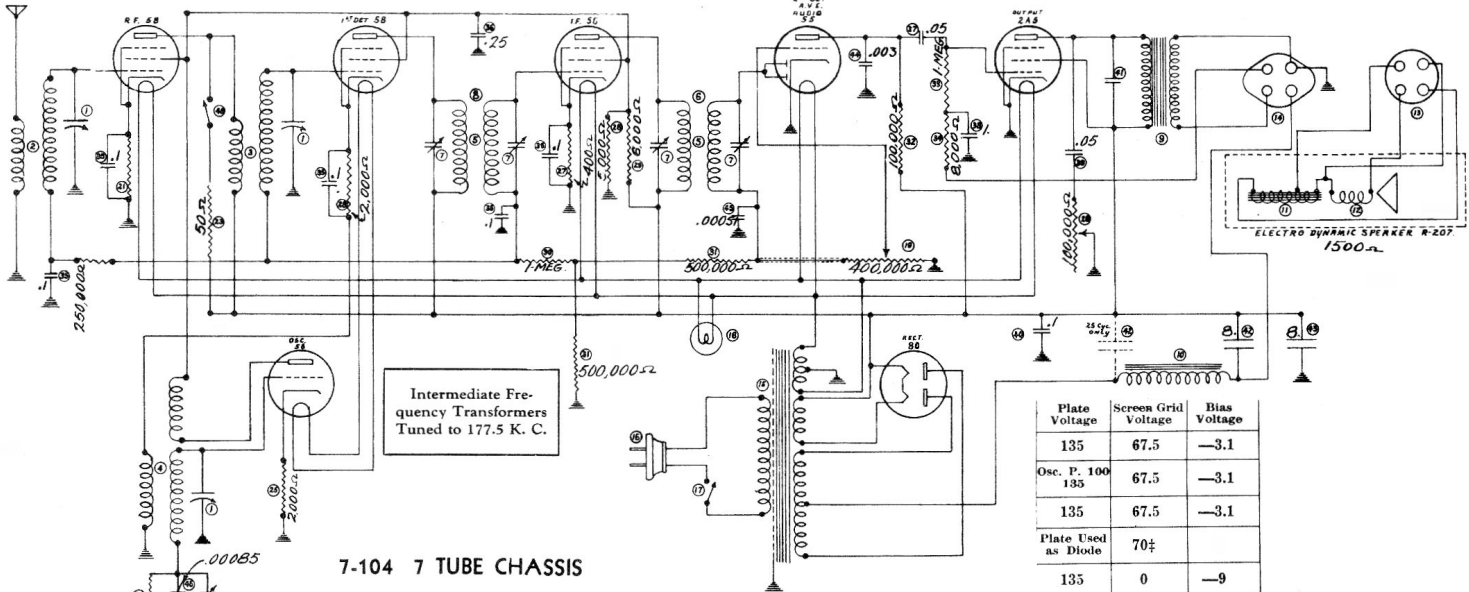
C-R-112 AUTO RADIO PARTS LIST

Diagram No.	Part No.	Description	Diagram No.	Part No.	Description
15	51172	Vibrator unit	36	83253	.05 mfd. 100 V. Fixed condenser
16	22448	Power transformers	37	51812	.0001 mfd. mica fixed condenser
17	83207	15 amp fuse	38	55191	5 mfd. 25 V. Electrolytic condenser In one
18	51260	Antenna lead assembly	39	50775	.01 mfd. 400 V. Fixed condenser
19	55260	Antenna lead assembly	40	81354	.006 mfd. mica fixed condenser
20	55312	75,000 ohm 1/2 watt insulated resistor	41	85207	.02 mfd. 600 V. Fixed condenser
21	55232	250 ohm 1/2 watt insulated resistor	42	55190	8 mfd. 200 V. Electrolytic condenser In one
22	55231	5,500 ohm 1/2 watt insulated resistor	43	55191	8 mfd. 200 V. Electrolytic condenser In one
23	55237	21,000 ohm 1/2 watt insulated resistor	44	83216	2 mfd. 100 V. Fixed Condenser
24	55378	500,000 ohm 1/2 watt insulated resistor	45	55139	.05 mfd. 500 V. Fixed condenser
25	55379	1 meg ohm 1/2 watt insulated resistor			
26	55375	200,000 ohm 1/2 watt insulated resistor			
27	55247	790 ohm wirewound I. R. C. resistor			
28	81724	10,000 ohm wirewound 1 form I			
29	81724	7,500 ohm wirewound one form I			
30	55128	500,000 ohm Volume control			
31	55192	1 mfd. 200 V. Fixed condenser mounted			
32	55192	1 mfd. 200 V. Fixed condenser in			
33	55192	1 mfd. 200 V. Fixed condenser one			
34	55192	1 mfd. 200 V. Fixed condenser can			
35	55196	10 mfd. Coupling condenser			

BATTERY VOLTAGE 6.3V		VOLUME CONTROL FULL ON		VOLUME CONTROL FULL ON	
Type of Tube	Tube Circuit	Filament Voltage	Plate Voltage	Screen Grid Voltage	Bias Voltage
78	R.F.	6	180	75	2.25
6A7	Osc. 1st Det.	6	180	75	1.50
78	I.F.	6	180	75	2.25
75	2nd Det. A.V.C.-Audio	6	85	...	1.25
89	Output	6	175	180	16

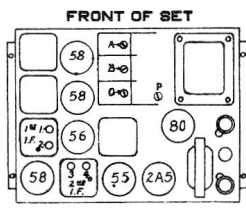


Models 7-104 a-b 1932-33-34



7-104 7 TUBE CHASSIS

Plate Voltage	Screen Grid Voltage	Bias Voltage
135	67.5	-3.1
Osc. P. 100	67.5	-3.1
135	67.5	-3.1
Plate Used as Diode	70	
135	0	-9
135	0	-3



LINE VOLTAGE 115		VOLUME CONTROL FULL ON		VOLUME CONTROL FULL ON	
Type of Tube	Tube Circuit	Filament Voltage	Plate Voltage	Screen Grid Voltage	Bias Voltage
58	R. F.	2.45	245	95	5
58	1st Det.	2.45	240	95	6
56	Osc.	2.45	95		
58	I. F.	2.45	240	95	4
55	2nd Det. A.V.C. & Amp.	2.45	50		
2A5	Output	2.45	230	245	15 1/2

Diagram No.	Part No.	Description	Diagram No.	Part No.	Description
18	67551	3 V. Pilot Lamp	33	55383	1 meg ohm 1/2 watt insulated resistor
19	67527	400,000 ohm Volume control	34	55236	8,000 ohm 1/2 watt insulated resistor
20	81105	100,000 ohm variable tone control	35	67294	1 mfd. 200 V. Fixed condenser
21	55360	1,200 ohm 1/2 watt insulated resistor	36	67297	25 mfd. 200 V. Fixed condenser
22	55361	250,000 ohm 1/2 watt insulated resistor	37	55129	.05 mfd. 400 V. Fixed condenser
23	55117	50 ohm Electrical flexohm resistor	38	67217	1 mfd. 100 V. Fixed condenser
24	55316	45,000 ohm 1/2 watt unisolated resistor	39	55129	.05 mfd. 400 V. Fixed condenser
25	55332	2,000 ohm 1/2 watt insulated resistor	40	67296	1 mfd. 400 V. Fixed condenser
26	67386	2,000 ohm 1 watt unisolated resistor	41	67932	.012 mfd. 600 V. Fixed condenser
27	55362	400 ohm 1/2 watt insulated resistor	42	81247	8 mfd. 485 V. Electrolytic condenser
28	67329	5,000 ohm wirewound resistor	43	67328	8 mfd. 440 V. Electrolytic condenser
29	67330	6,000 ohm wirewound resistor	44	81282	.003 mfd. Mica Fixed condenser
30	67929	1 meg ohm 1/2 watt unisolated resistor	45	81812	.00051 mfd. Mica Fixed condenser
31	81109	100,000 ohm 1/2 watt unisolated resistor	46	55284	.00085 mfd. Mica Fixed condenser
32	55316	100,000 ohm 1 watt insulated resistor	47	67385	Trimmer condenser