

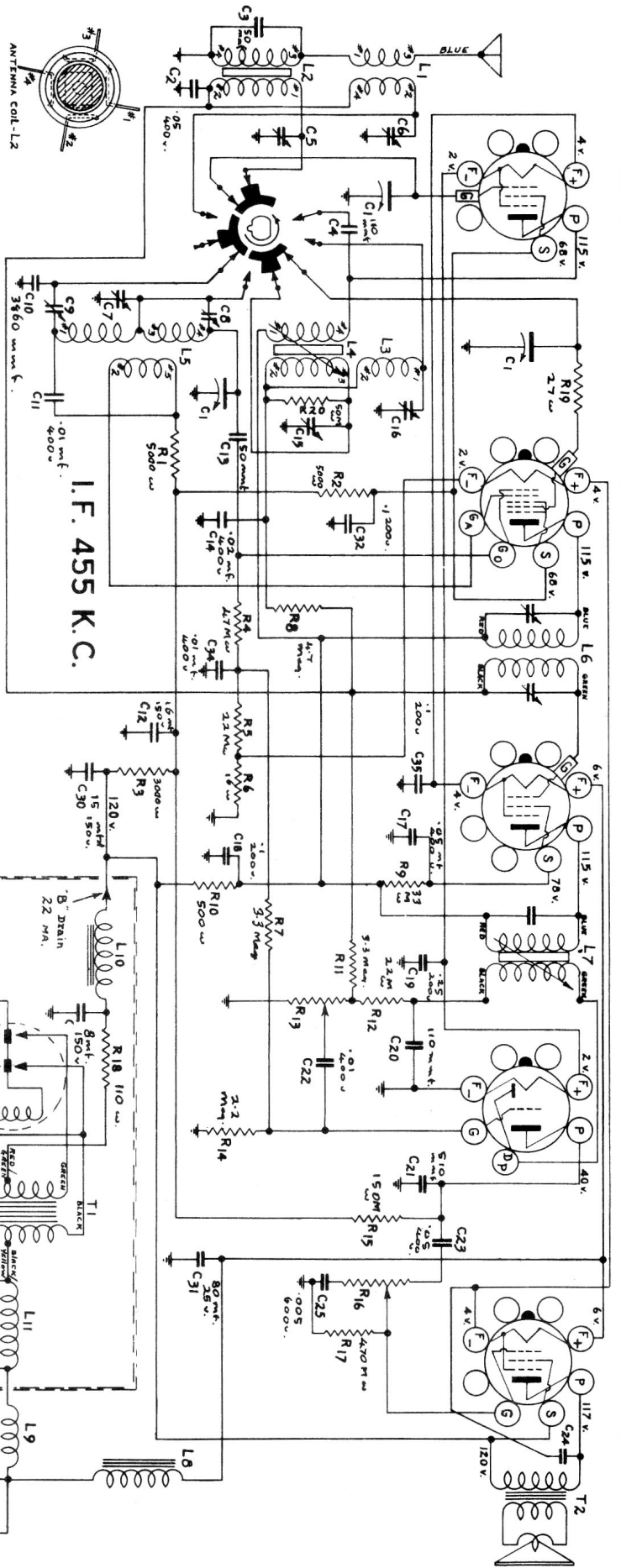
1D5G

1C7G

1D5G

1H6G

1F5G



Set the pointer to the horizontal line at the low frequency end of the dial with the gang condenser in full mesh.

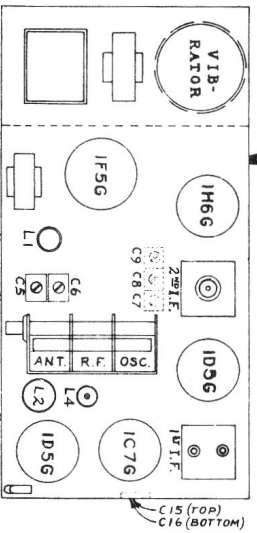
No.	Dummy Antenna Resistor with Signal On.	Connection of Antenna to Receiver.	Signal Frequency	Receiver Setting	Trimmer Description	Type Adjustment
1.	.1 Mfd. Cond.	Top grid of 1C7G	485 kc	Any point on B.C. band where signal is not affected.	1st. I. F. 2nd. I. F.	Adjust for maximum output, then repeat the adjustment.
2.	Standard dummy or 200 mfd. Cond.	Antenna lead	600 kc	600 kc on B.C. Band	Oscillator Pad C9	Adjust to bring in Signal
3.	400 ohm carbon Resistor	Antenna lead	17000 kc	17000 kc on S.W. Band	Oscillator Shunt C8	Adjust to bring in Signal
4.	400 ohm carbon Resistor	Antenna lead	17000 kc	S.W. Band	R.F. Shunt C16 Ant. Shunt C8	Adjust for maximum output while rocking gang
5.	Standard dummy or 300 mfd. Cond.	Antenna lead	1500 kc	1500 kc on B.C. Band	Oscillator Shunt C7	Adjust to bring in Signal
6.	Standard dummy or 200 mfd. Cond.	Antenna lead	1500 kc	1500 kc on B.C. Band	Ant. Shunt C6	Adjust for maximum output
7.	Standard dummy or 200 mfd. Cond.	Antenna lead	600 kc	600 kc on B.C. Band	Osc. Series Pad C9	Adjust for maximum output while rocking gang
8.	Standard dummy or 300 mfd. Cond.	Antenna lead	600 kc	600 kc on B.C. Band	R.F. Coil L4	Adjust iron core for maximum output
9.	Standard dummy or 300 mfd. Cond.	Antenna lead	1500 kc	1500 kc on B.C. Band	R.F. Shunt C15 Ant. Shunt C6	Adjust for maximum output
10.						Repeat 8 and 9

NOTE: All tube voltages measured to chassis with 1000 ohm per volt meter.

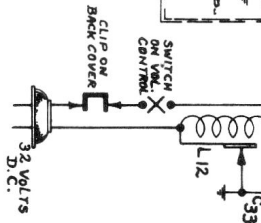
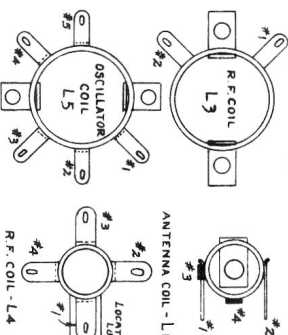
1940-41

MODEL-483

Battery leads



There should be no ham or hush from the vibrator. If either does exist, make sure the power cord connections are clean and tight. If the Receiver does not operate, reverse the plug in the wall socket. The set will only work with the electrical polarity in the proper direction. The polarized relay L12 prevents injury to the Receiver when the polarity is wrong.



STEWART-WARNER

DATA SHEET 104