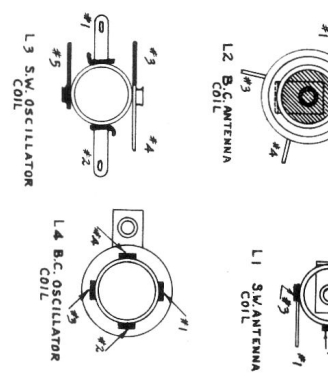


**ALIGNMENT:** To align this chassis a well shielded oscillator and a suitable output meter are required. The output meter may be connected across the voice coil terminals of the speaker. Turn the Volume control full-on to the right and set the tone control switch on the rear of the chassis so that the white dot shows. Proceed with the alignment as follows:

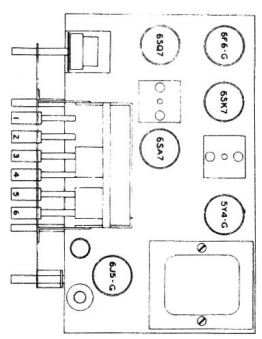
No.	Dummy Antenna	Connection of Signal Gen. to Receiver	Signal Freq.	Receiver Dial Setting	Trimmers to be Adjusted	Description of Adjustment
1.	.1 mfd. Condenser	Stator terminal on top of left hand section of gang.	485 kc	Anywhere on B. C. band	2nd I. F. 1st I. F.	Peak both transformers for maximum output and then repeat the operation.
2.	Standard Dummy	Antenna lead	600 kc	600 kc on B. C. band	B. C. Oscillator	Adjust to bring in signal
3.	Standard Dummy	Antenna lead	1500 kc	1500 kc on B. C. band	B. C. Oscillator	Adjust to bring in signal
4.	Standard Dummy	Antenna lead	1500 kc	1500 kc on B. C. band	B. C. Antenna Trimmer C2	Adjust for maximum output
5.	Standard Dummy	Antenna lead	600 kc	600 kc on B. C. band	B. C. Oscillator	Adjust for maximum output while rocking the gang
6.	Standard Dummy	Antenna lead				Repeat 8 and 4
7.	400 ohm Carbon Resistor	Antenna lead	17000 kc	17000 kc on S. W. band	S. W. Oscillator	Adjust to bring in signal
8.	400 ohm Carbon Resistor	Antenna lead	17000 kc	17000 kc on S. W. band	S. W. Antenna Trimmer C8	Adjust for maximum output while rocking the gang

NOTE: - A 200 mfd. condenser may be used in place of the Standard Dummy Antenna.

Photograph terminals are provided on the back of the chassis and these are connected to the audio circuit when the black switch, at the left end of the rear of the chassis, is moved downward. These terminals may also be used to connect the audio circuit to reproduce the sound channel of a television receiver.



NOTE: All tube voltages measured to chassis with 1000 OHM per volt meter.



# MODEL-480

# 1940-41