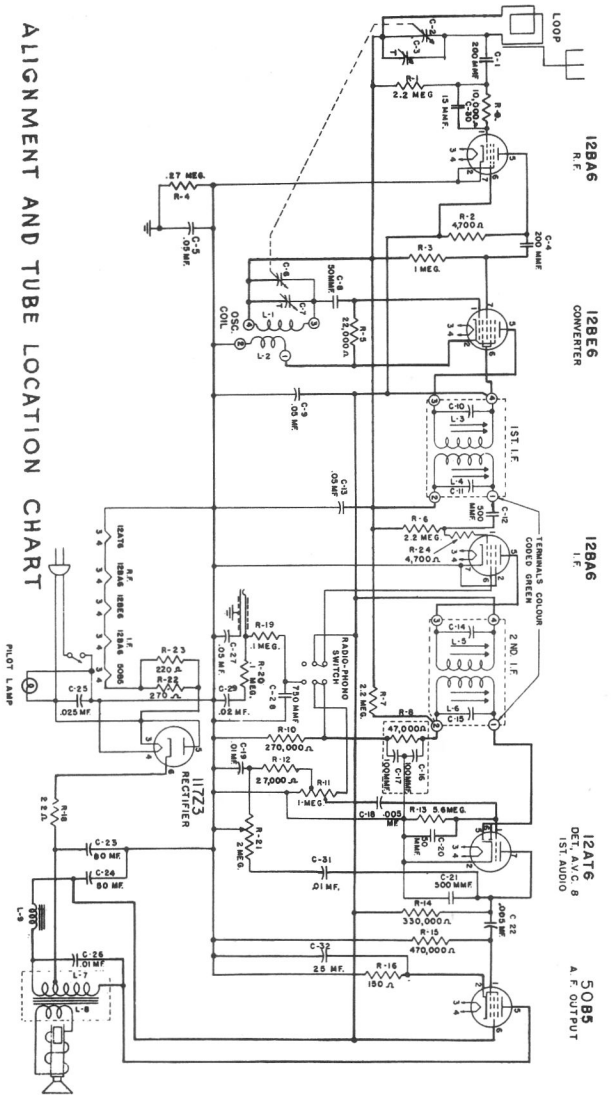
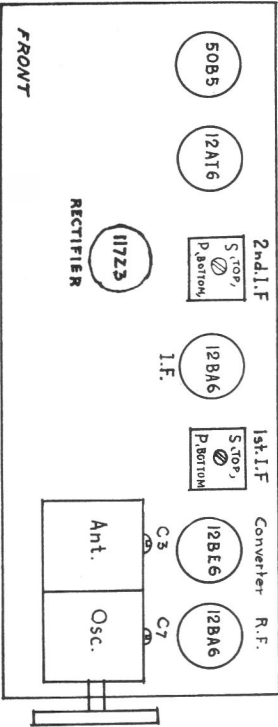


Stromberg-Carlson Model 2061 Receiver

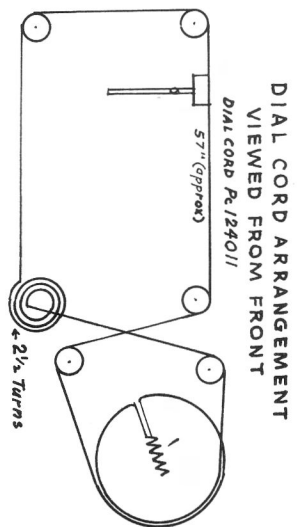


ALIGNMENT AND TUBE LOCATION CHART



MODEL 2061

WHEN DRIVE PULLEY AND POINTER ARE IN POSITION SHOWN, GANG CONDENSER IS IN CLOSED POSITION.



VOLTAGE CHART FOR MODEL 2061

SOCKET	FUNCTION	PIN 1	PIN 2	PIN 3	PIN 4	PIN 5	PIN 6	PIN 7	PIN 8
12BA6	R.F. Amplifier	-9	0	(13.)	(24)	50	100	0	—
12BE6	Converter	-8.	0	(24.)	(36)	100	100	-7	—
12BA6	I.F. Amplifier	-7	0	(36)	(49)	100	100	0	—
12AT6	Demod. A.V.C. 1st Audio	-7	0	(13)	0	-7	-7	44	—
50B5	Power Output	0	5.8	(49)	(100)	100	100	0	—
117Z3	Rectifier	—	103	0	(117)	(117)	103	0	—

ALIGNMENT PROCEDURE 2061

Band and Pointer Setting	Generator Setting	Input and Dummy	Meter Connections	Trimmer Adjustments and Notes
--------------------------	-------------------	-----------------	-------------------	-------------------------------

I.F. ALIGNMENT

Lower end of band.	455 KC.	Signal generator ground lead to B minus (common bus) through 2 mfd. capacitor to No. 1 pin 12BA6 I.F. socket.	Output meter across coil.	Adjust the iron cores (top and bottom) of the 2nd I.F. transformer for maximum output with 300 vts. signal input. Signal should be approx. 6,000 vts.
Lower end of band.	455 KC.	Leave signal generator ground to B minus. Connect "top" lead through 2 mfd. capacitor to No. 7 pin 12BE6 socket.	Output meter across coil.	Adjust the iron cores (top and bottom) of the 1st I.F. transformer for maximum output with 300 vts. signal input. Signal should be approx. 1,100 vts. or better and correct tracking.

R.F. ALIGNMENT

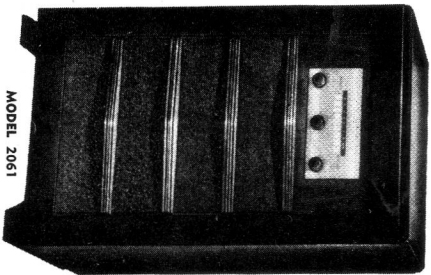
Extreme high frequency end of the scale.	1450 KC.	With gang capacitor fully meshed, adjust pointer to coincide with "set up" point at the top left-hand edge of the dial frame.	Output meter across coil.	Adjust the oscillator trimmer capacitor so that signal output through the 1550 kc. voice coil.
1400 KC.	1400 KC.	Hashtine loop or equivalent.	Output meter across coil.	Adjust the antenna trimmer capacitor for correct tracking. Adjust the gang while the adjustment is being made.
				Re-check sensitivity at 1600 kc. and 600 kc.

SPECIFICATIONS

Voltage Rating 105-125 Volts A.C.
 Type of Circuit Superheterodyne
 Tuning Range 540 kc.-1640 kc.
 Input Power Rating 40 watts at 117 line volts
 Intermediate Frequency 455 kc.
 Speaker Voice Coil Impedance (P.M.) 6-8 ohms, 400 cycles
 Power Output Maximum 2.0 watts, 10% distortion 1.2 watts

IDENTIFICATION TABLE

Model	Chassis	Cabinet	Speaker	Phono Equip.
W	02743	02755	48995	148975-25 cycle or
M	02743	02820	48995	148976-60 cycle



MODEL 2061