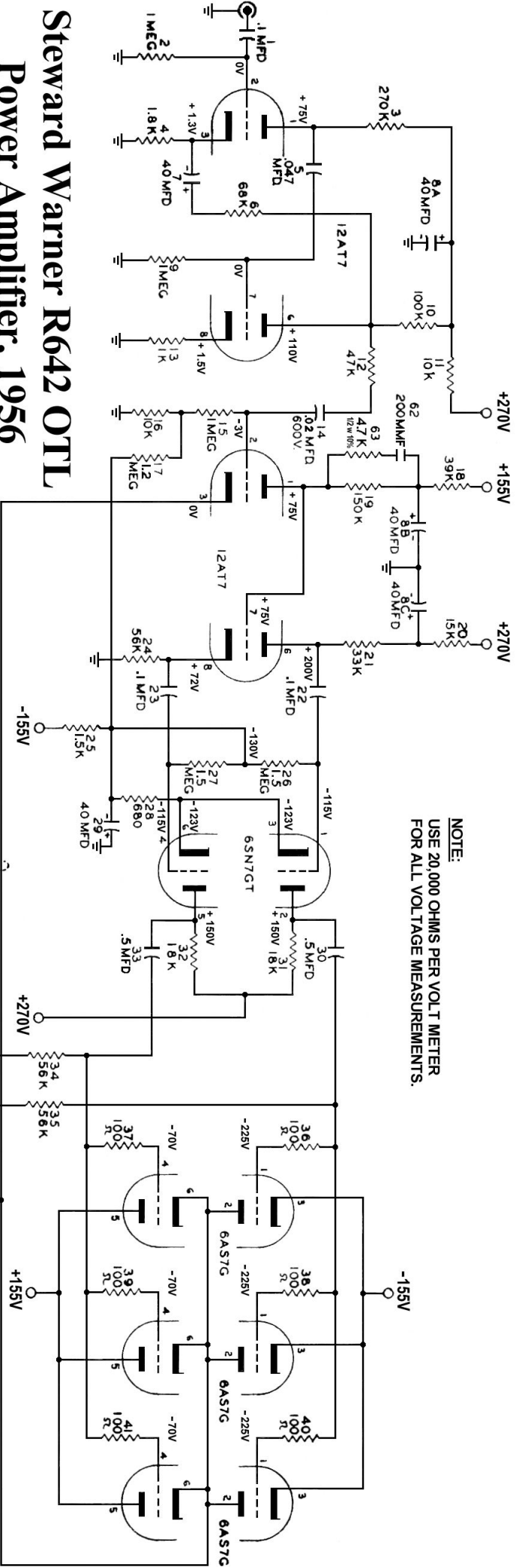
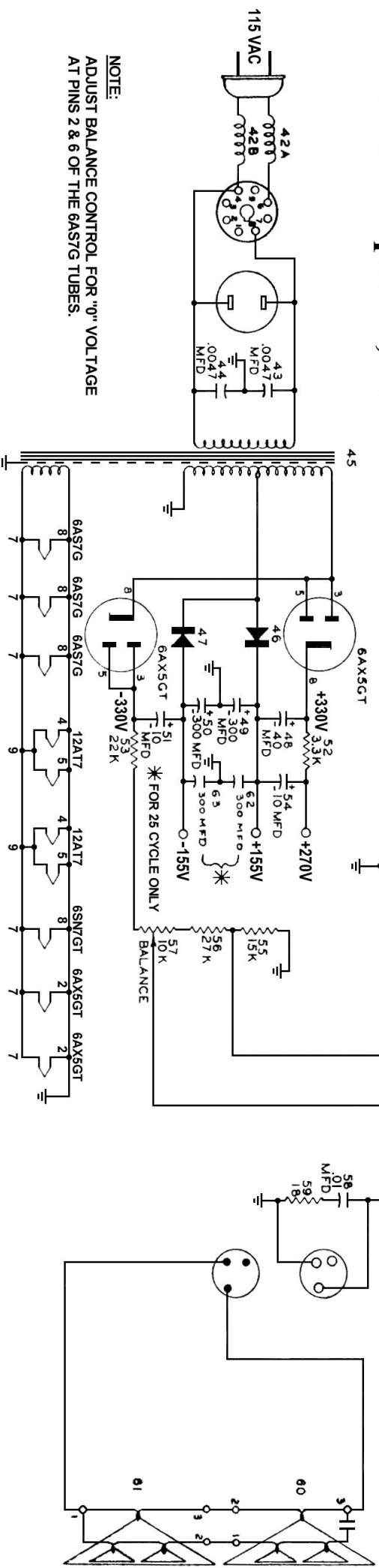


# Steward Warner R642 OTL Power Amplifier, 1956



NOTE:  
USE 20,000 OHMS PER VOLT METER  
FOR ALL VOLTAGE MEASUREMENTS.



NOTE:  
ADJUST BALANCE CONTROL FOR "0" VOLTAGE  
AT PINS 2 & 6 OF THE 6AS7G TUBES.