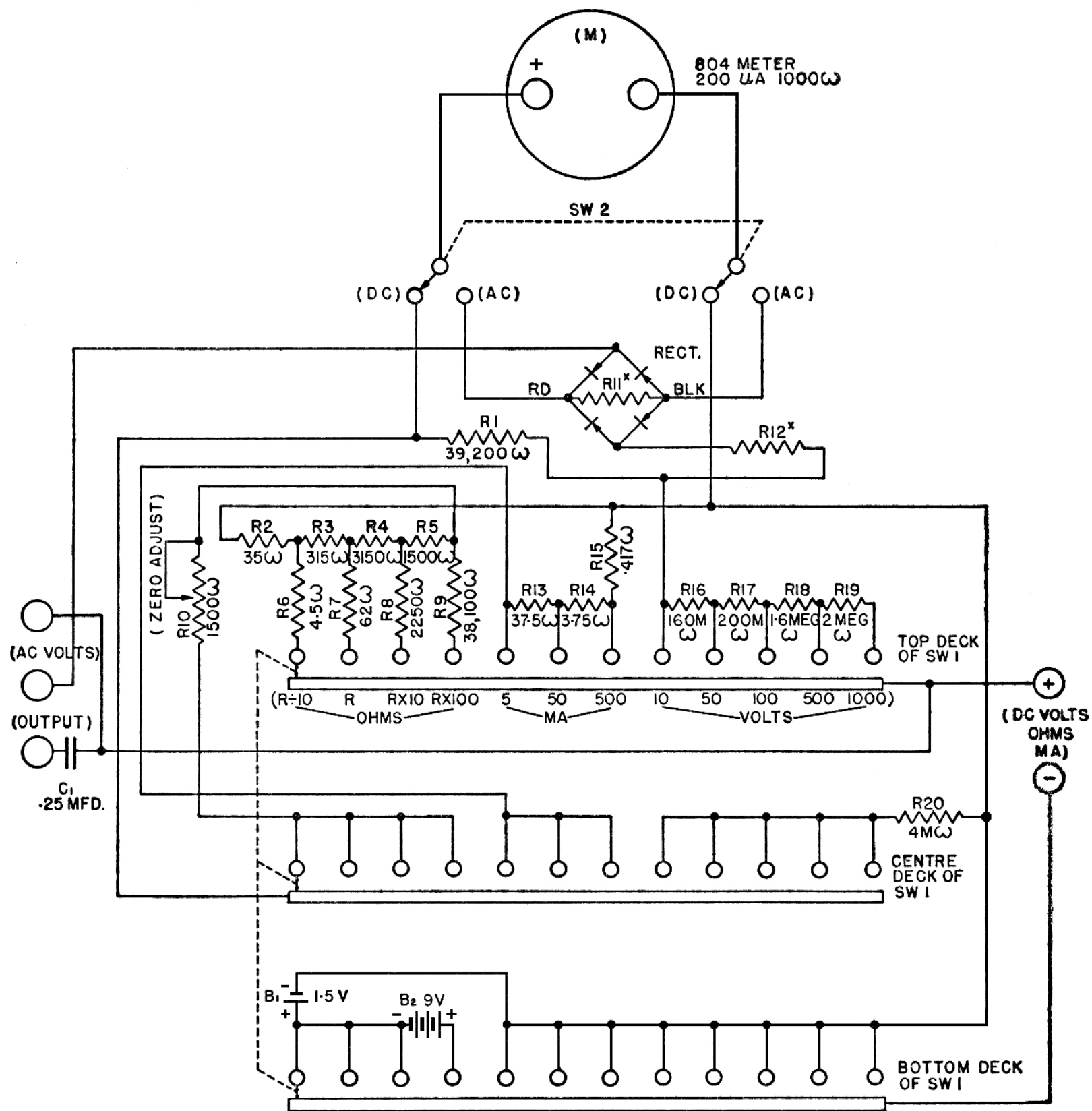


MODEL TE-1



* EXACT VALUE DETERMINED BY RECTIFIER CHARACTERISTICS