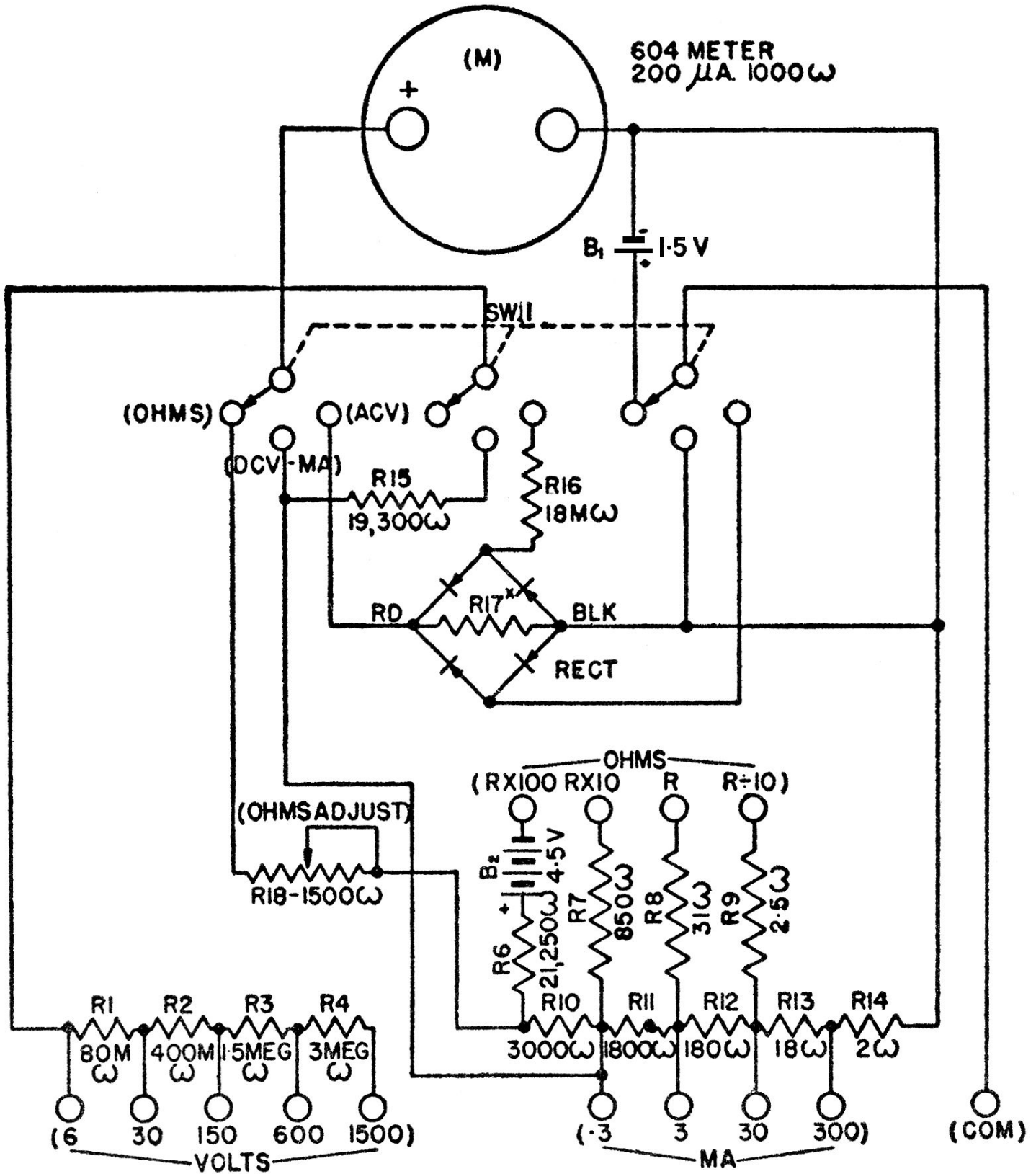


# STARK MODEL SD-1 CIRCUIT ANALYZER

MODEL SD-1



\* EXACT VALUE DETERMINED BY RECTIFIER CHARACTERISTICS

STARK ELECTRONIC INSTRUMENTS LTD. — CANADA