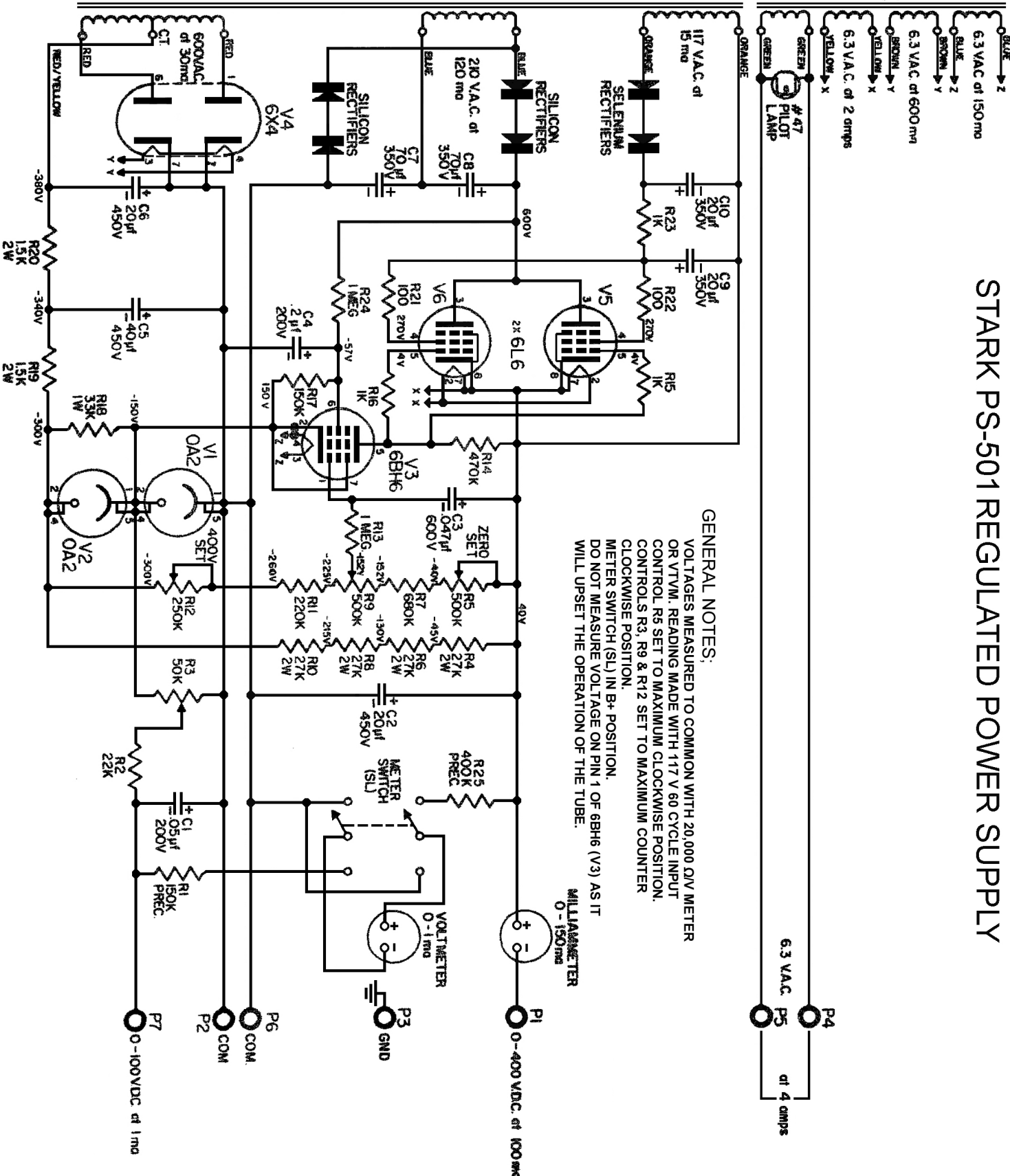
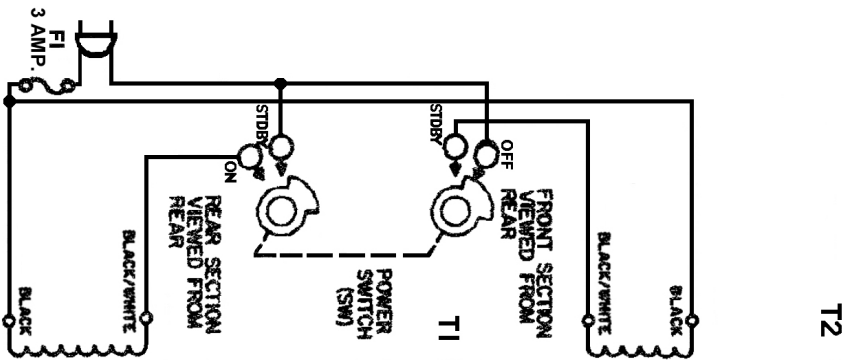


T2

# STARK PS-501 REGULATED POWER SUPPLY



**GENERAL NOTES:**  
 VOLTAGES MEASURED TO COMMON WITH 20,000 Ω/V METER  
 OR VTVM. READING MADE WITH 117 V 60 CYCLE INPUT  
 CONTROL R5 SET TO MAXIMUM CLOCKWISE POSITION.  
 CONTROLS R3, R9 & R12 SET TO MAXIMUM COUNTER  
 CLOCKWISE POSITION.  
 METER SWITCH (SL) IN B+ POSITION.  
 DO NOT MEASURE VOLTAGE ON PIN 1 OF 6B6H6 (V3) AS IT  
 WILL UPSET THE OPERATION OF THE TUBE.

MILLIAMMETER  
0 - 150 ma

VOLTMETER  
0 - 1 ma