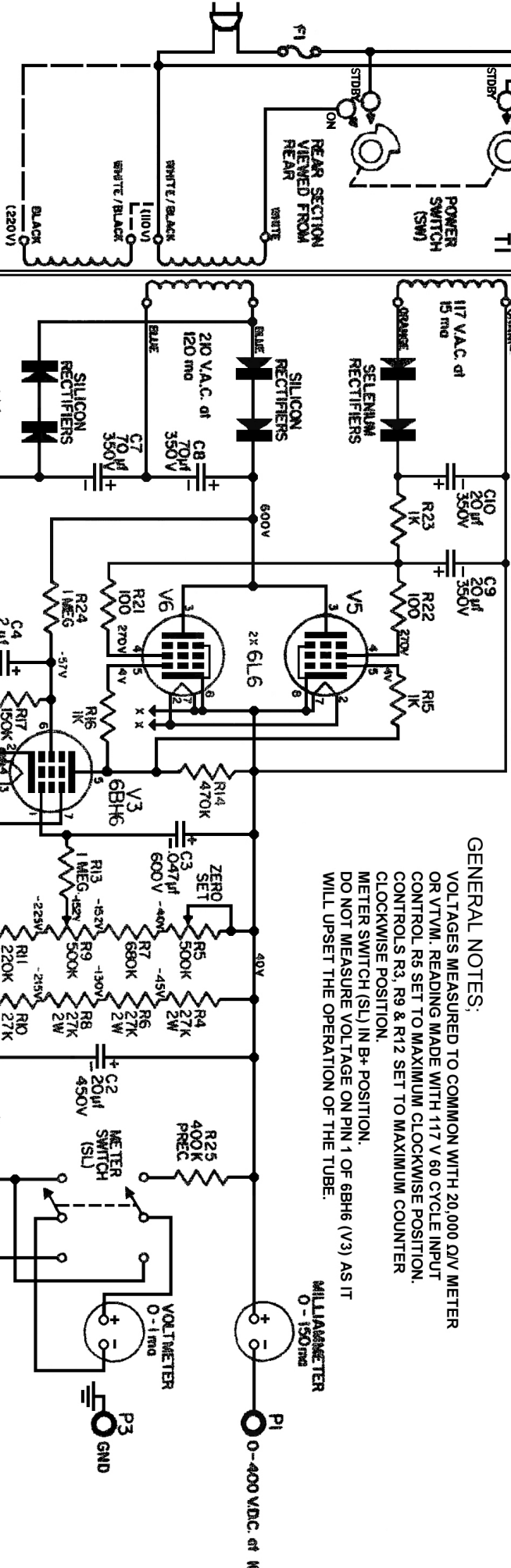
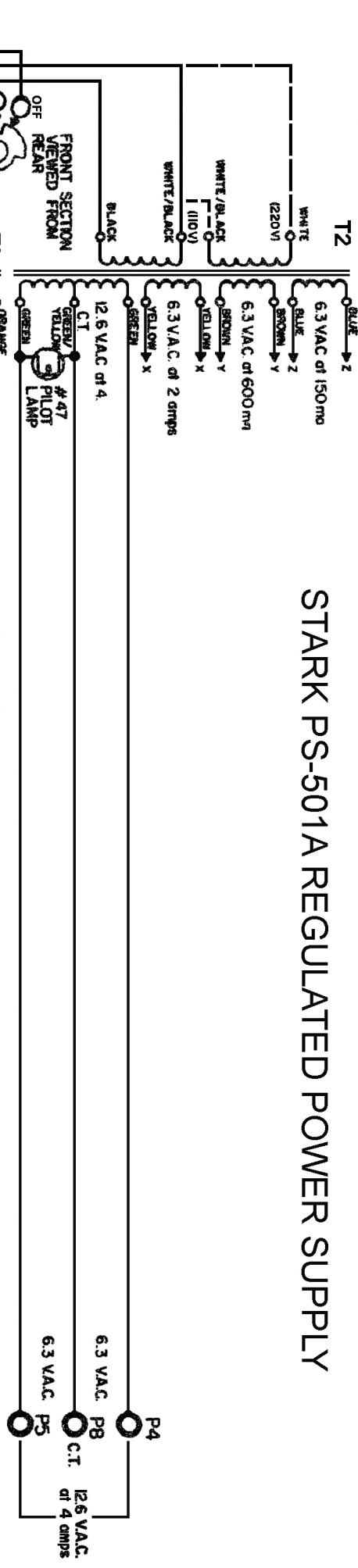


# STARK PS-501A REGULATED POWER SUPPLY



**NOTE:**  
 - FOR 110V OPERATION CONNECT TRANSFORMERS T1 & T2 AS SHOWN ABOVE BY SOLID LINES.  
 FUSE F1 SHOULD BE 3 AMPS.  
 - FOR 220V OPERATION WHITE/BLACK LEADS ON T1 & T2 SHOULD BE TIED TOGETHER REMAINING BLACK & WHITE LEADS SHOULD BE CONNECTED AS SHOWN ABOVE BY BROKEN LINES.  
 FUSE F1 SHOULD BE 1.5 AMPS.

**GENERAL NOTES:**  
 VOLTAGES MEASURED TO COMMON WITH 20,000 OHM METER OR VTVM. READING MADE WITH 117 V 60 CYCLE INPUT CONTROL. R5 SET TO MAXIMUM CLOCKWISE POSITION. CONTROLS R3, R9 & R12 SET TO MAXIMUM COUNTER CLOCKWISE POSITION.  
 METER SWITCH (SL) IN B+ POSITION.  
 DO NOT MEASURE VOLTAGE ON PIN 1 OF 6B6 (V3) AS IT WILL UPSET THE OPERATION OF THE TUBE.

