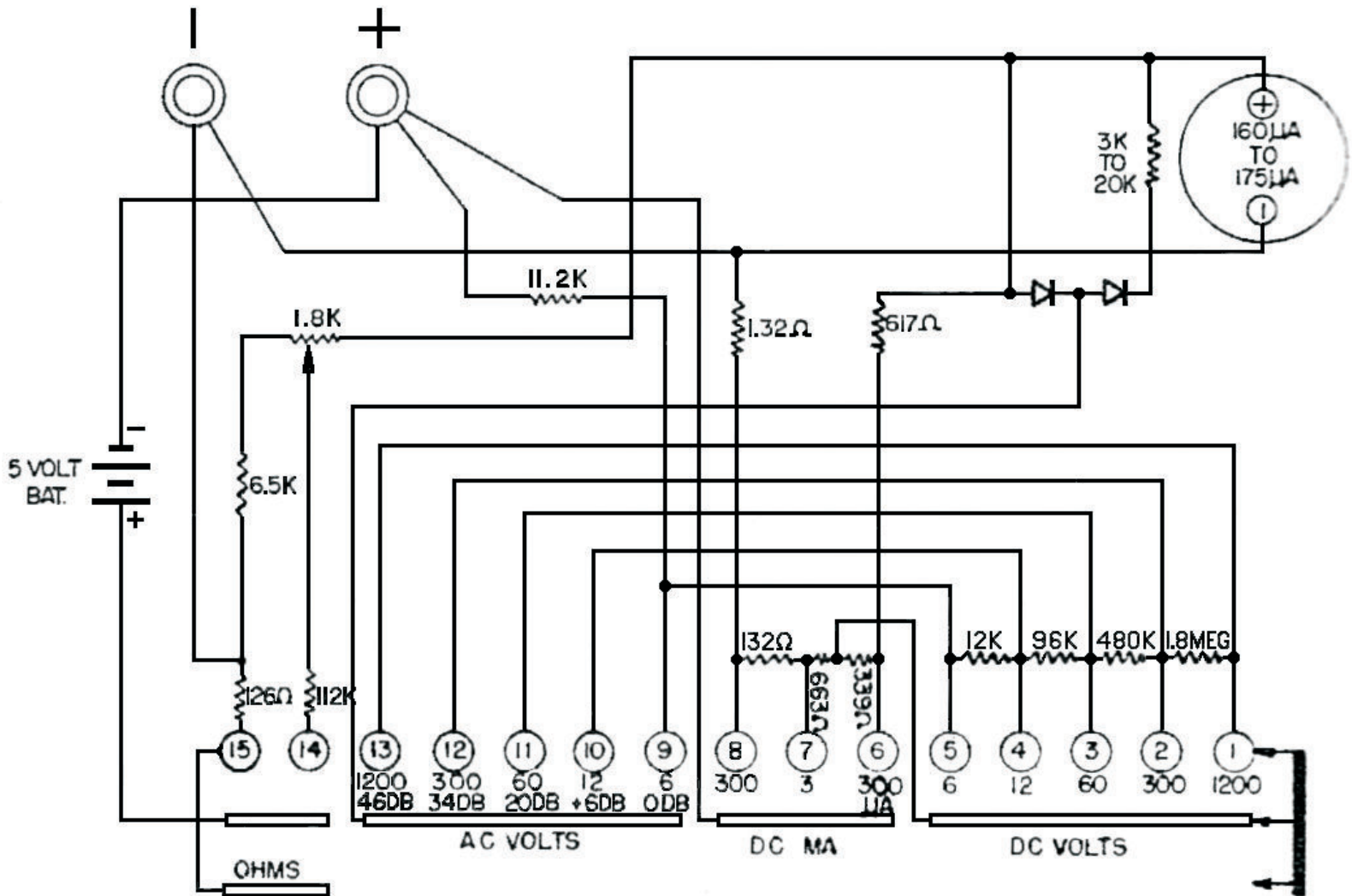


# STARKIT MODEL PD-3



## INDUCTANCE MEASUREMENTS

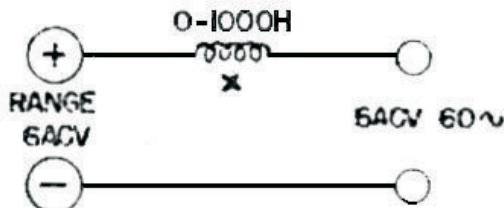


FIG A

## CAPACITY MEASUREMENTS

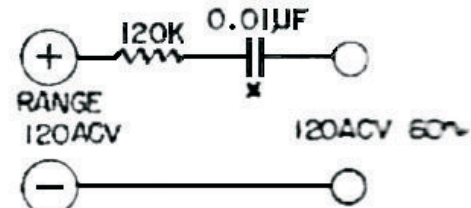


FIG B.

FIG-A,B  
EXTERNAL CIRCUIT  
NECESSARY FOR  
MEASUREMENTS OF  
INDUCTANCES OR  
CAPACITORS.

SCHEMATIC DIAGRAM OF PD-3