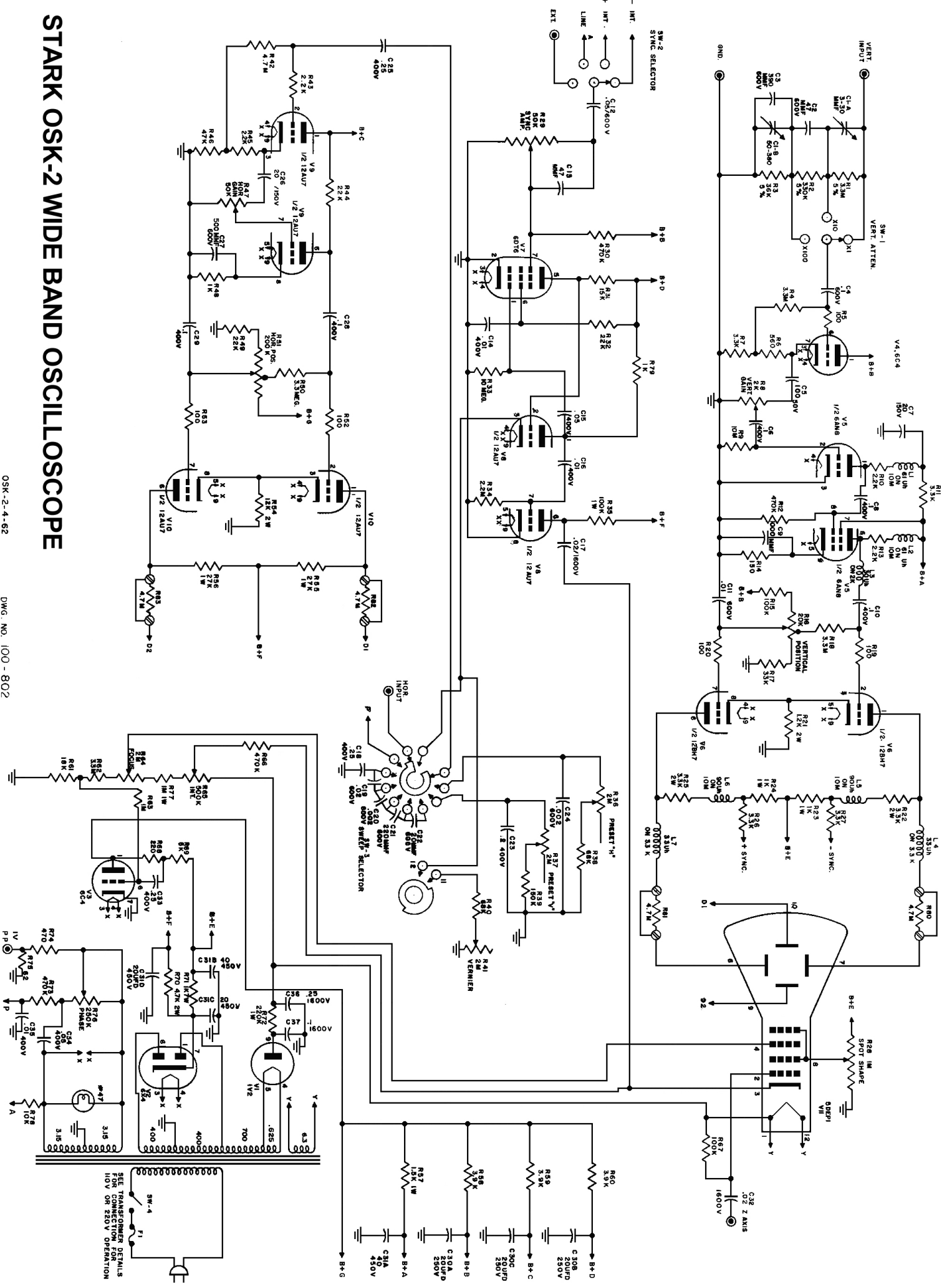


STARK OSK-2 WIDE BAND OSCILLOSCOPE

OSK-2-4-62

DWG. NO. 100-802



SEE TRANSFORMER DETAILS
110V OR 250V OPERATION

NOTE

THE SWITCH SW-3 IS SHOWN AS VIEWED FROM THE REAR IN EXTREME COUNTER CLOCKWISE POSITION (EXTERNAL INPUT SWEEP)

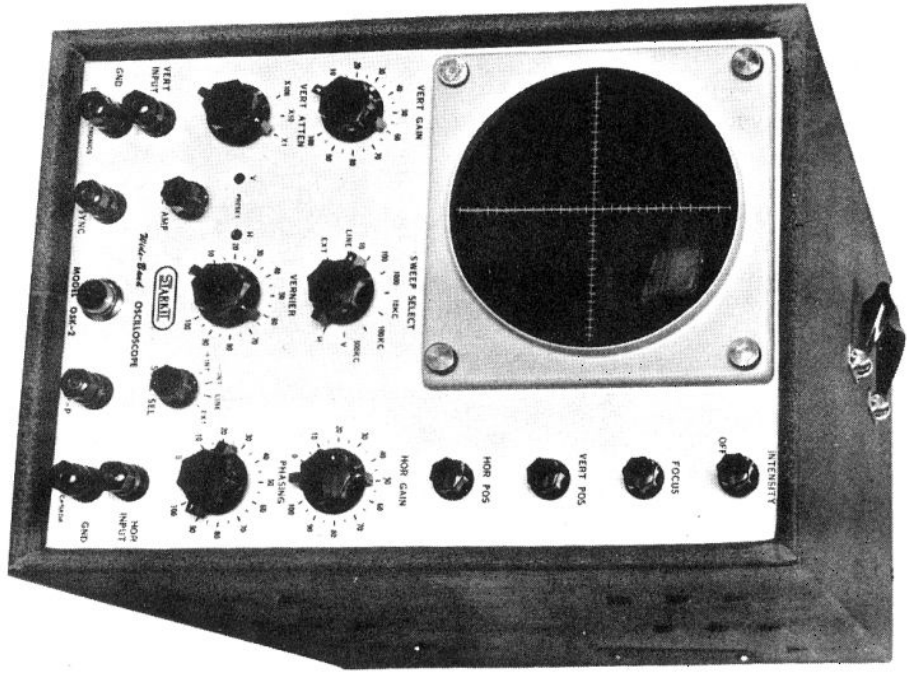
- → SHORT ARROW = CONTACT
- → LONG ARROW = WIPER

ALL CAPACITOR VALUES ARE IN MFD, UNLESS OTHERWISE SHOWN

ALL RESISTORS 1/2 WATT UNLESS OTHERWISE SPECIFIED



K = 1,000 OHMS
MEG. = 1,000,000 OHMS



TRANSFORMER DETAILS

