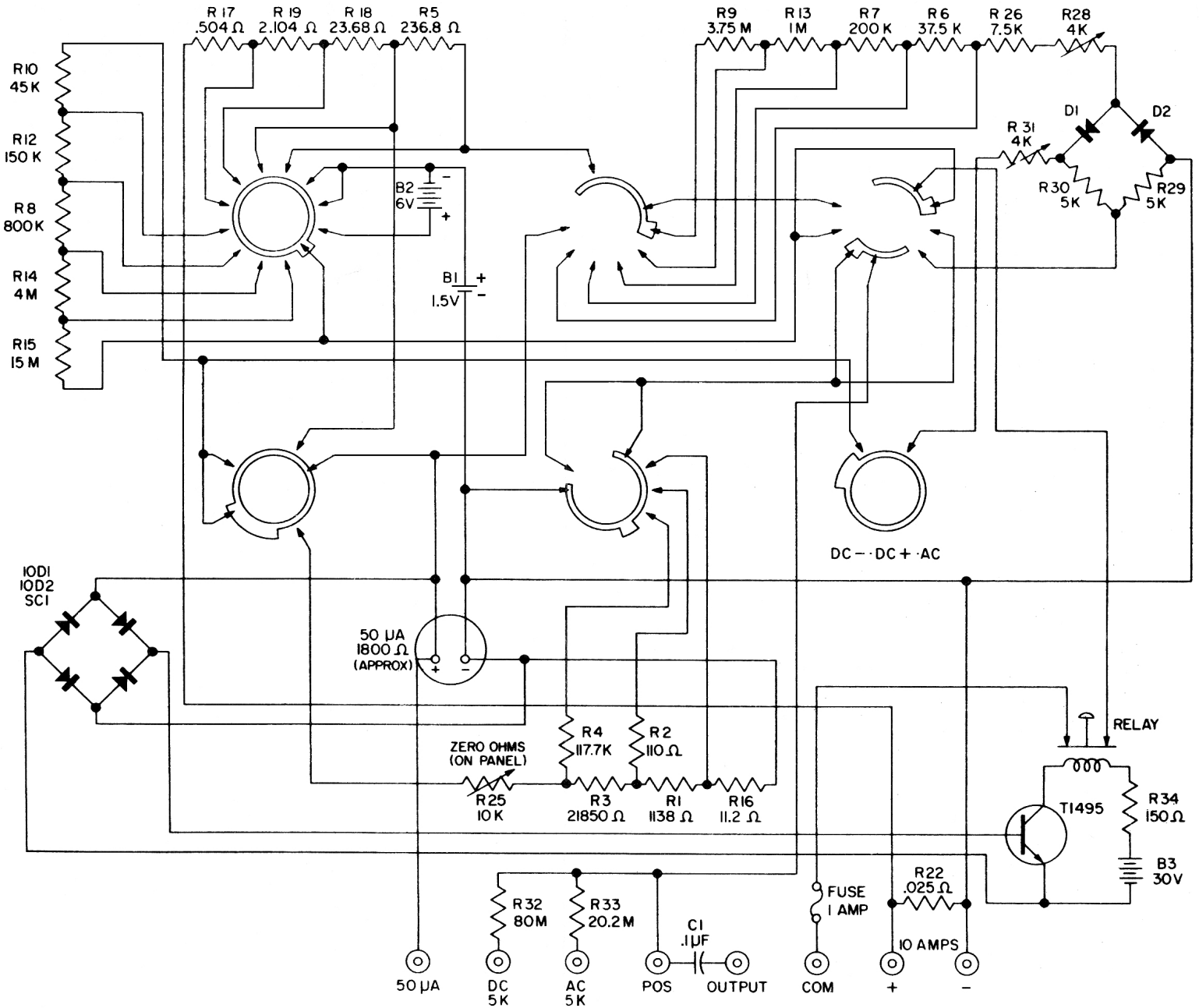


# Starkit MK-6 Schematic



MODEL MK-6  
Multimeter  
Schematic Diagram