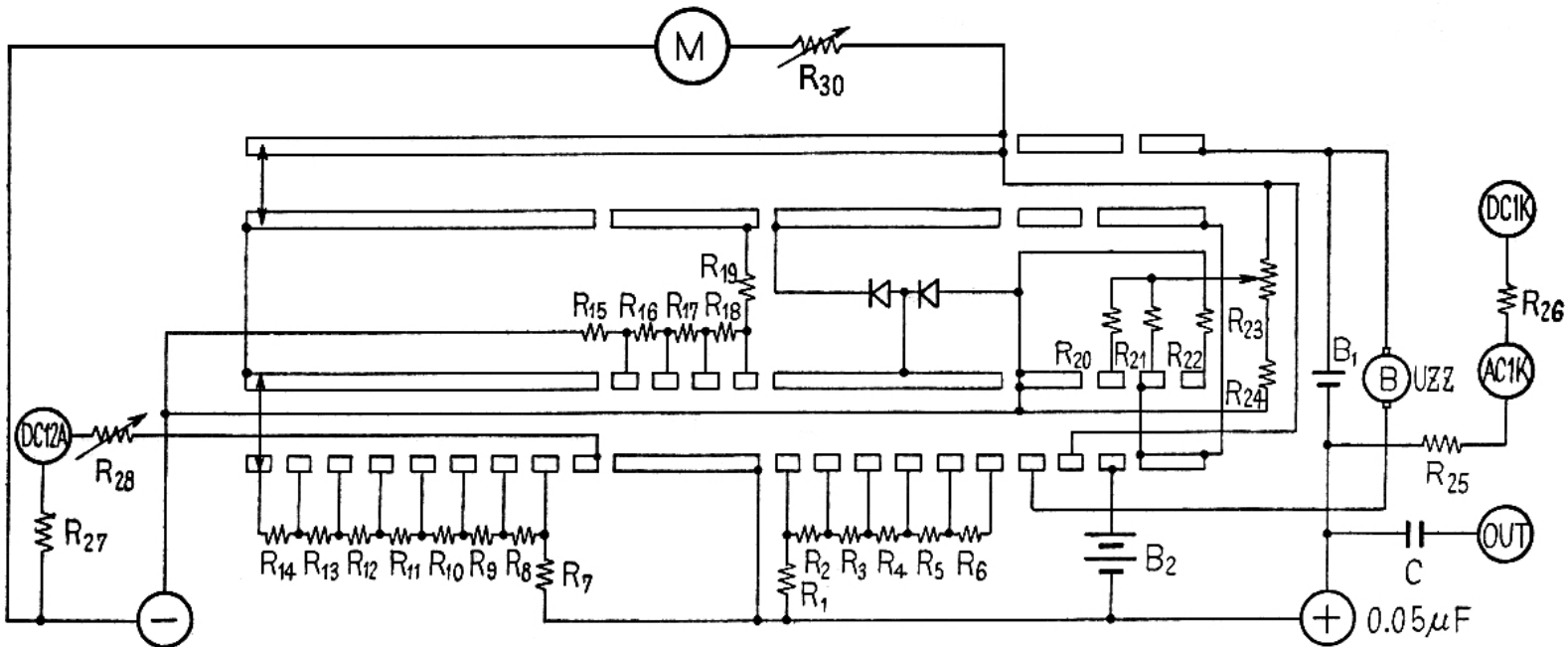


SCHEMATIC DIAGRAM



PARTS LIST

STARKIT MK-4

<table style="width: 100%; border-collapse: collapse;"> <tr><td style="width: 10%;">R 1</td><td style="width: 15%;">26.5K</td><td style="width: 10%;">ohm</td></tr> <tr><td>R 2</td><td>97.5K</td><td></td></tr> <tr><td>R 3</td><td>195 K</td><td></td></tr> <tr><td>R 4</td><td>975 M</td><td></td></tr> <tr><td>R 5</td><td>1.95M</td><td></td></tr> <tr><td>R 6</td><td>3.25M</td><td></td></tr> <tr><td>R 7</td><td>6.2 K</td><td></td></tr> <tr><td>R 8</td><td>22.5K</td><td></td></tr> <tr><td>R 9</td><td>45 K</td><td></td></tr> <tr><td>R10</td><td>22.5K</td><td></td></tr> <tr><td>R11</td><td>450 K</td><td></td></tr> <tr><td>R12</td><td>2.25M</td><td></td></tr> <tr><td>R13</td><td>4.5 M</td><td></td></tr> <tr><td>R14</td><td>7.5 M</td><td></td></tr> </table>	R 1	26.5K	ohm	R 2	97.5K		R 3	195 K		R 4	975 M		R 5	1.95M		R 6	3.25M		R 7	6.2 K		R 8	22.5K		R 9	45 K		R10	22.5K		R11	450 K		R12	2.25M		R13	4.5 M		R14	7.5 M		<table style="width: 100%; border-collapse: collapse;"> <tr><td style="width: 10%;">R 15</td><td style="width: 15%;">1</td><td style="width: 10%;">ohm</td></tr> <tr><td>R 16</td><td>9</td><td>ohm</td></tr> <tr><td>R 17</td><td>90</td><td>ohm</td></tr> <tr><td>R 18</td><td>9.9 K</td><td></td></tr> <tr><td>R 19</td><td>2.5 K</td><td></td></tr> <tr><td>R 20</td><td>300 K</td><td></td></tr> <tr><td>R 21</td><td>27 K</td><td></td></tr> <tr><td>R 22</td><td>340</td><td>ohm</td></tr> <tr><td>R 23</td><td>10 K</td><td>pot</td></tr> <tr><td>R 24</td><td>20 K</td><td></td></tr> <tr><td>R 25</td><td>6.5 M</td><td></td></tr> <tr><td>R 26</td><td>8.5 M</td><td></td></tr> <tr><td>R 27</td><td>0.01</td><td>ohm</td></tr> <tr><td>R 28</td><td>4.2 K</td><td></td></tr> </table>	R 15	1	ohm	R 16	9	ohm	R 17	90	ohm	R 18	9.9 K		R 19	2.5 K		R 20	300 K		R 21	27 K		R 22	340	ohm	R 23	10 K	pot	R 24	20 K		R 25	6.5 M		R 26	8.5 M		R 27	0.01	ohm	R 28	4.2 K	
R 1	26.5K	ohm																																																																																			
R 2	97.5K																																																																																				
R 3	195 K																																																																																				
R 4	975 M																																																																																				
R 5	1.95M																																																																																				
R 6	3.25M																																																																																				
R 7	6.2 K																																																																																				
R 8	22.5K																																																																																				
R 9	45 K																																																																																				
R10	22.5K																																																																																				
R11	450 K																																																																																				
R12	2.25M																																																																																				
R13	4.5 M																																																																																				
R14	7.5 M																																																																																				
R 15	1	ohm																																																																																			
R 16	9	ohm																																																																																			
R 17	90	ohm																																																																																			
R 18	9.9 K																																																																																				
R 19	2.5 K																																																																																				
R 20	300 K																																																																																				
R 21	27 K																																																																																				
R 22	340	ohm																																																																																			
R 23	10 K	pot																																																																																			
R 24	20 K																																																																																				
R 25	6.5 M																																																																																				
R 26	8.5 M																																																																																				
R 27	0.01	ohm																																																																																			
R 28	4.2 K																																																																																				
<table style="width: 100%; border-collapse: collapse;"> <tr><td style="width: 10%;">M</td><td>Meter, 33 DC microamps f. s.</td></tr> <tr><td>RECT</td><td>Rectifier</td></tr> <tr><td>BUZ</td><td>Buzzer</td></tr> <tr><td>C</td><td>0.05 μF, 600 WVDC</td></tr> <tr><td>B1</td><td>1.5V Battery : Burgess Z, Eveready 912. etc.</td></tr> <tr><td>B2</td><td>15 V Battery : Burgess Y10, Eveready 504. etc.</td></tr> </table>			M	Meter, 33 DC microamps f. s.	RECT	Rectifier	BUZ	Buzzer	C	0.05 μ F, 600 WVDC	B1	1.5V Battery : Burgess Z, Eveready 912. etc.	B2	15 V Battery : Burgess Y10, Eveready 504. etc.																																																																							
M	Meter, 33 DC microamps f. s.																																																																																				
RECT	Rectifier																																																																																				
BUZ	Buzzer																																																																																				
C	0.05 μ F, 600 WVDC																																																																																				
B1	1.5V Battery : Burgess Z, Eveready 912. etc.																																																																																				
B2	15 V Battery : Burgess Y10, Eveready 504. etc.																																																																																				