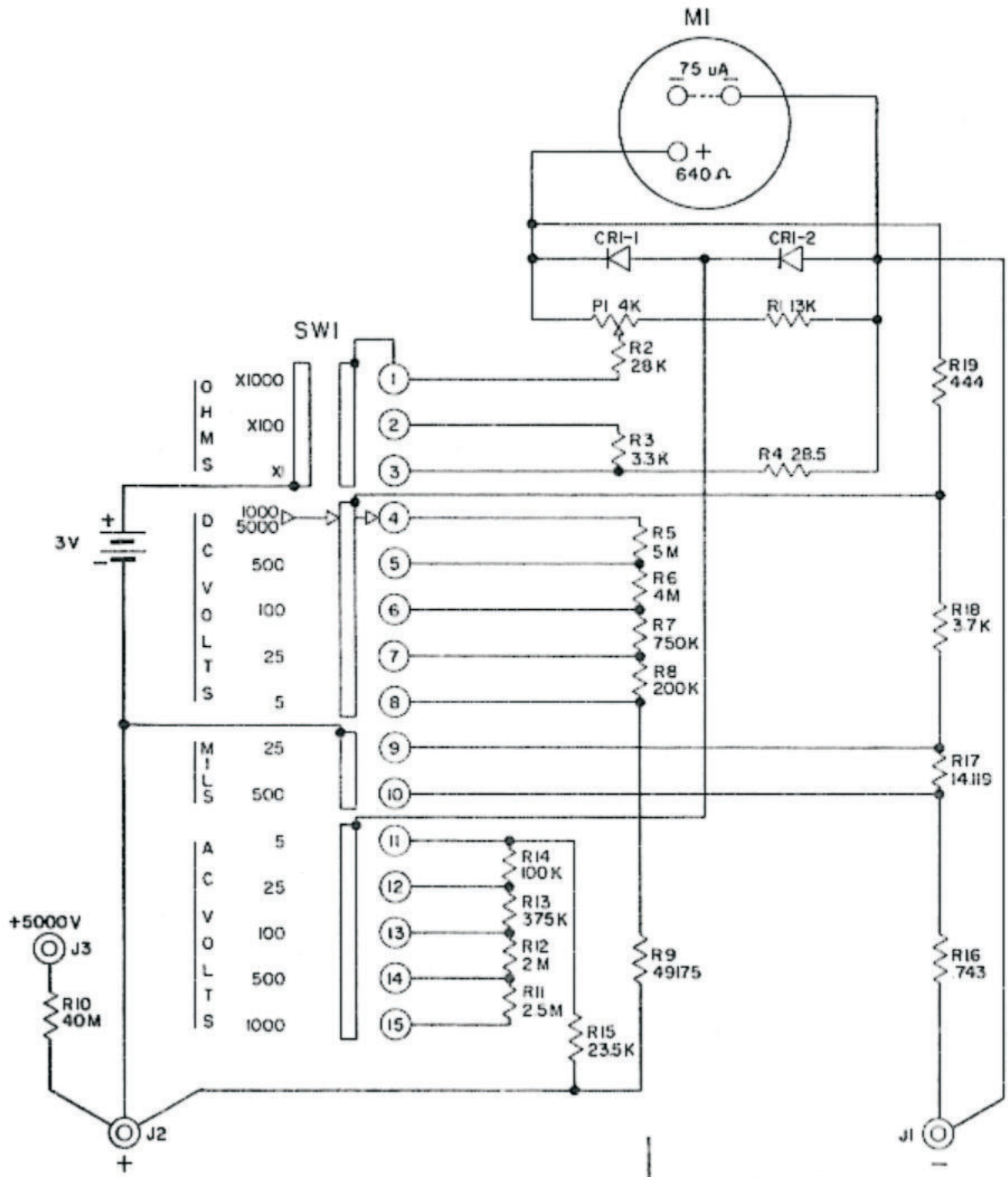
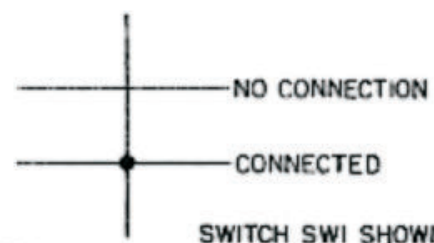


STARKIT MODEL MK-2



RESISTOR VALUE IN OHMS

K = 1000 OHMS
M = MEGOHMS = 1000000 OHMS



SWITCH SWI SHOWN IN POSITION 4,
1000/5000 D C V RANGE.