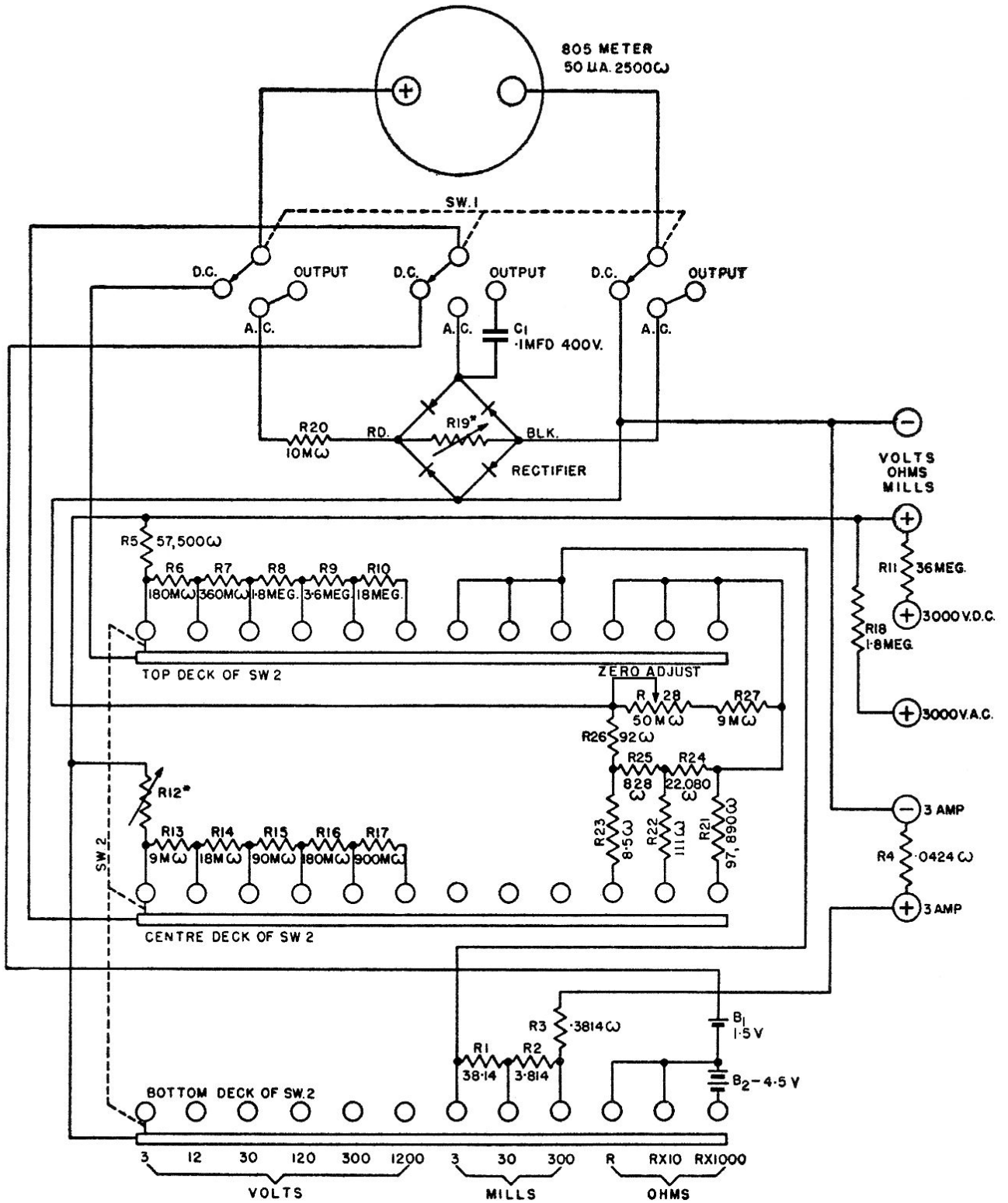


20,000 "OHMS PER VOLT" MASTER CIRCUIT ANALYZER MODEL ES-1



EXACT VALUE DETERMINED BY RECTIFIER CHARACTERISTICS

M=1000 OHMS

AVERAGE VALUE OF R12 2MΩ MAXIMUM VALUE 4MΩ
AVERAGE VALUE OF R19 600Ω MAXIMUM VALUE 1200Ω

DATE	BY	REVISION	SCALE	SIZE
1/1/52	WJC			
MODEL ES-1 SCHEMATIC				
STARK ELECTRONIC INSTRUMENTS LTD. TORONTO CANADA				

ALTERNATION	DRAWING NO.
	100-526W

MADE IN TORONTO, CANADA BY
STARK ELECTRONIC INSTRUMENTS LIMITED