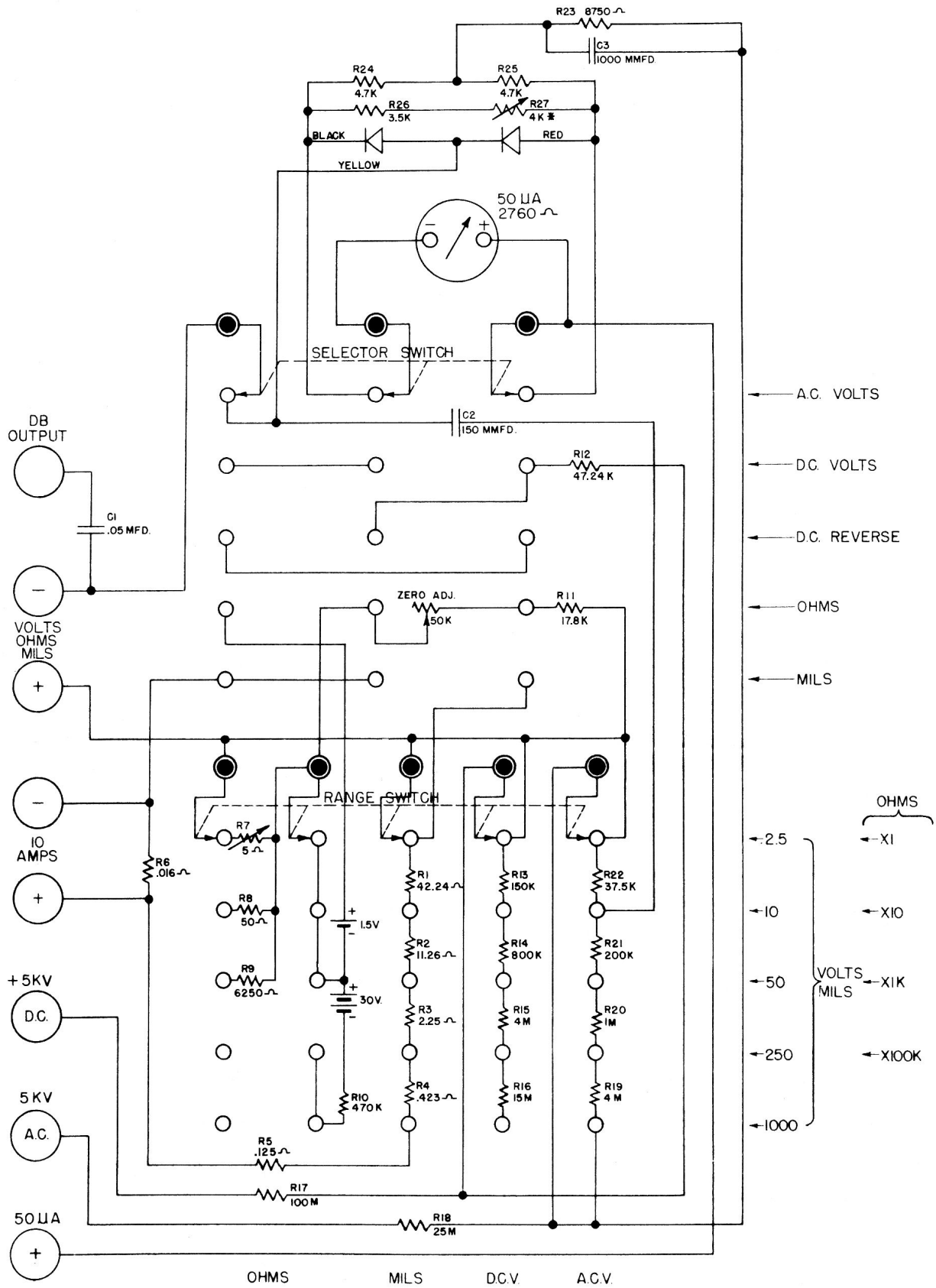


FIGURE 1 - CIRCUIT DIAGRAM



NOTES:
 *EXACT VALUE DETERMINED BY RECTIFIER CHARACTERISTICS
 K=1,000
 M=1,000,000

ALT	REVISION	BY	DATE	REASON	APP'D.
A	LINE FROM #M TO 25 M	A	25 3 54	OMMISSION	

STARK ELECTRONIC INSTRUMENTS LTD
 AJAX, ONTARIO

TITLE
 SCHEMATIC DIAGRAM
 OF
 MODEL 460

21.1.54		DATE	SCALE	X SIZE
D'W'N	CH'K'D	APPROVED	DRAWING NUMBER	
A	J S	C. [Signature]	100 - 625	