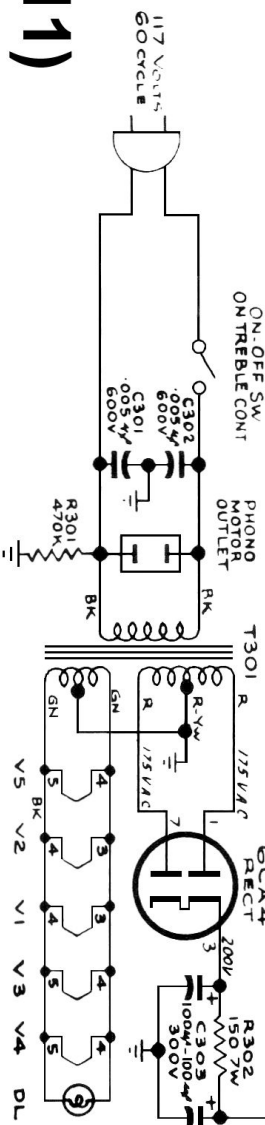


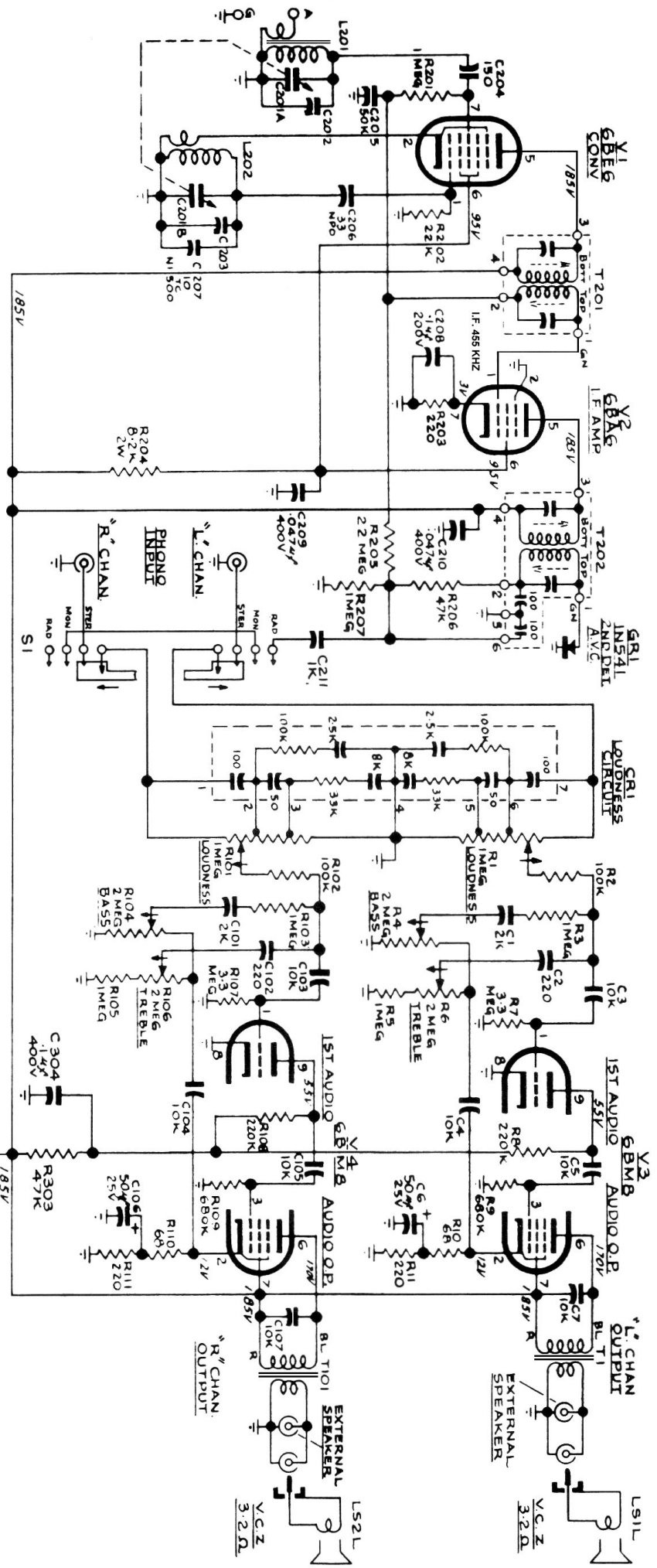
Sparton 5K6 (Compact 11)

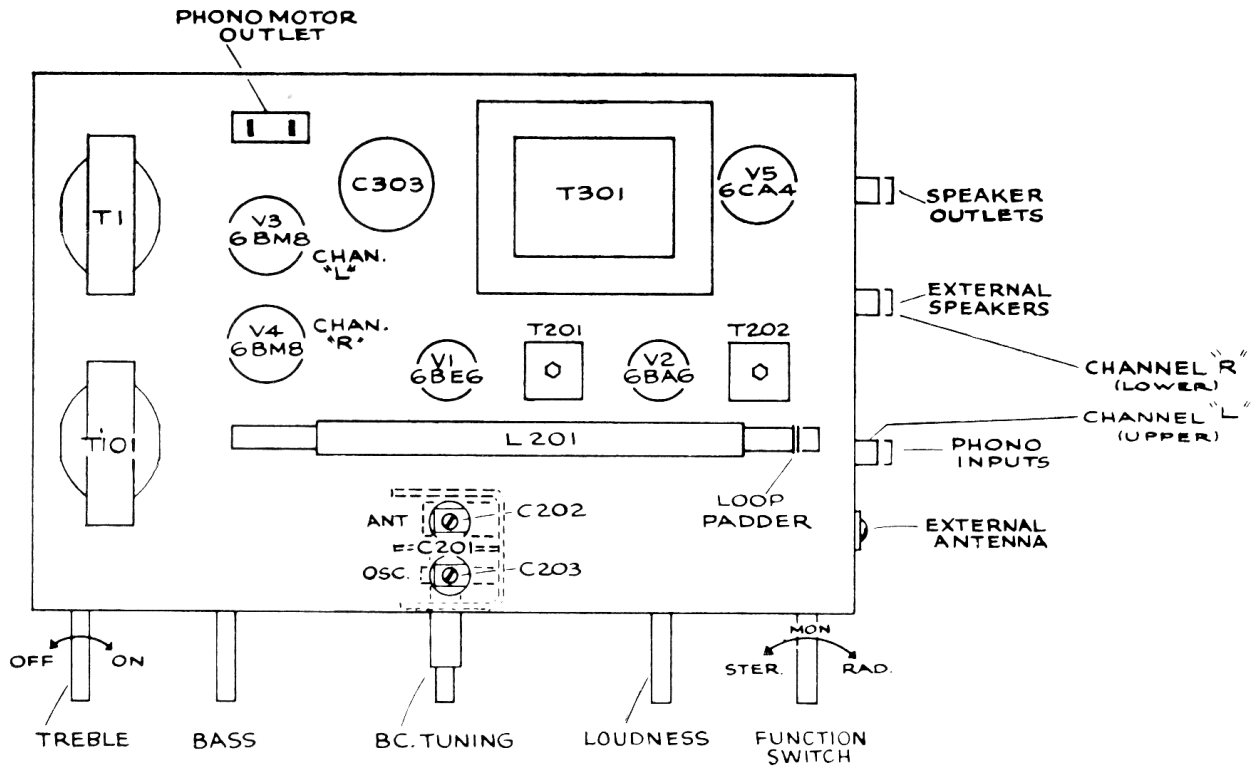
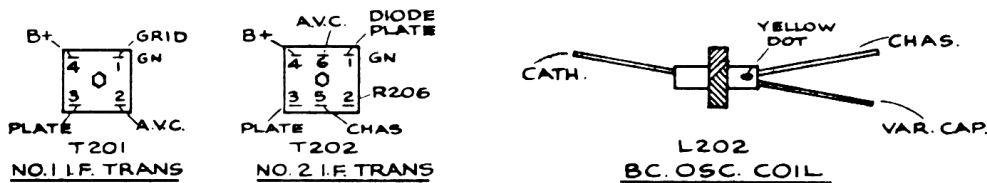


S1 SHOWN IN EXTREME COUNTER-
CLOCKWISE POSITION (STEREO)

UNLESS OTHERWISE SHOWN
RESISTANCES IN OHMS (1/2 WATT)
CAPACITANCES IN μ F
K=1000

DIRECTION OF ARROWS AT CONTROLS
INDICATES CLOCKWISE ROTATION.





TOP VIEW OF CHASSIS

RADIO ALIGNMENT PROCEDURE

At least 15 minute warm up period should be allowed before adjustments are made.

- Connect Signal Generator to radiating loop (6 to 8 turns of insulated wire 6 inches in diameter) placed near loop antenna at rear of chassis and set Generator to 455Kcs.
- Set tuning capacitor to approximately 1500 Kcs and adjust hexagon IF iron cores for maximum output starting with T202 adjust bottom, then top. Next adjust bottom, then top of T201.
- With tuning capacitor set to minimum capacity and Signal Generator set to 1640 Kcs adjust trimmer C203 to set oscillator. (Tuning range 1640 to 535 Kcs.)
- With Signal Generator set at 1500 Kcs, tune in signal and adjust trimmer C202 for maximum output.

LOOP PADDER

Adjusted for optimum loop performance at factory. Field adjustment usually is unnecessary.

- With Signal Generator and Dial set at 600 Kcs adjust loop padder for maximum output.
- Reset Signal Generator and Dial to 1550 Kcs and rock the tuning capacitor while adjusting C202 for maximum output.