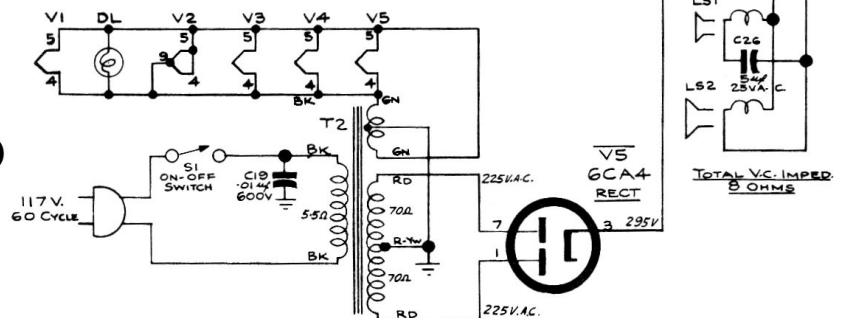
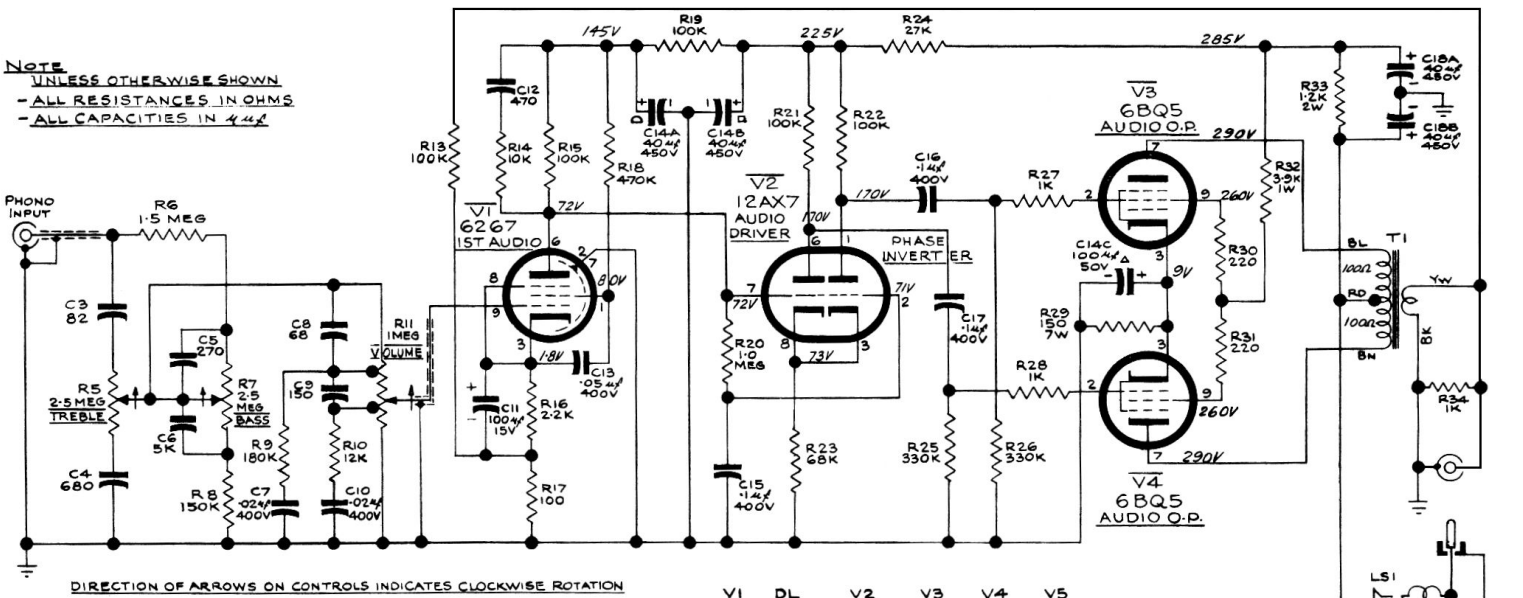
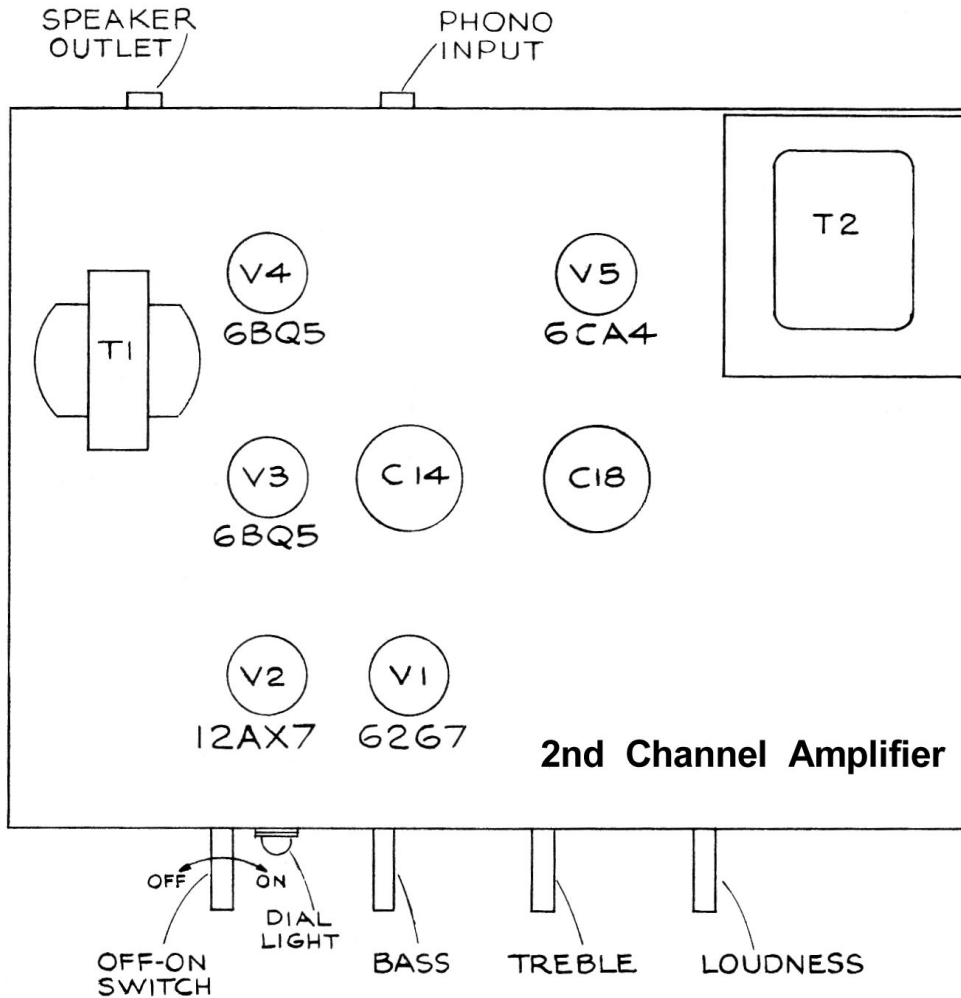


NOTE
 UNLESS OTHERWISE SHOWN
 - ALL RESISTANCES IN OHMS
 - ALL CAPACITIES IN $\mu\mu\text{F}$



Sparton 5H7-P Mono Integrated Amplifier

(Second Channel Amplifier)



TOP VIEW OF CHASSIS