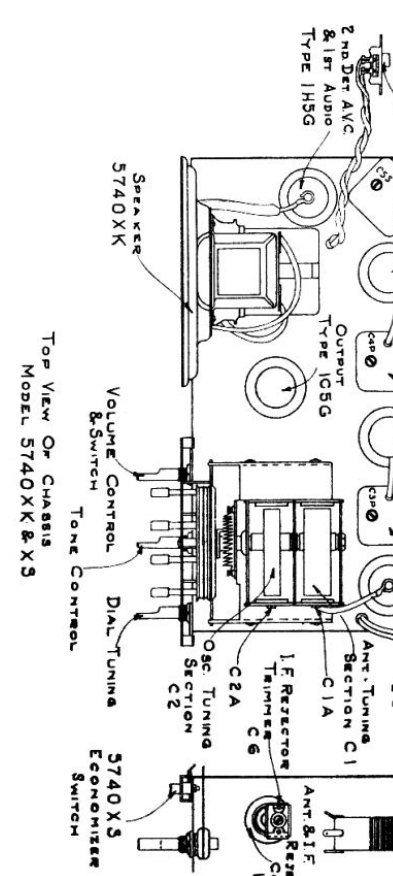
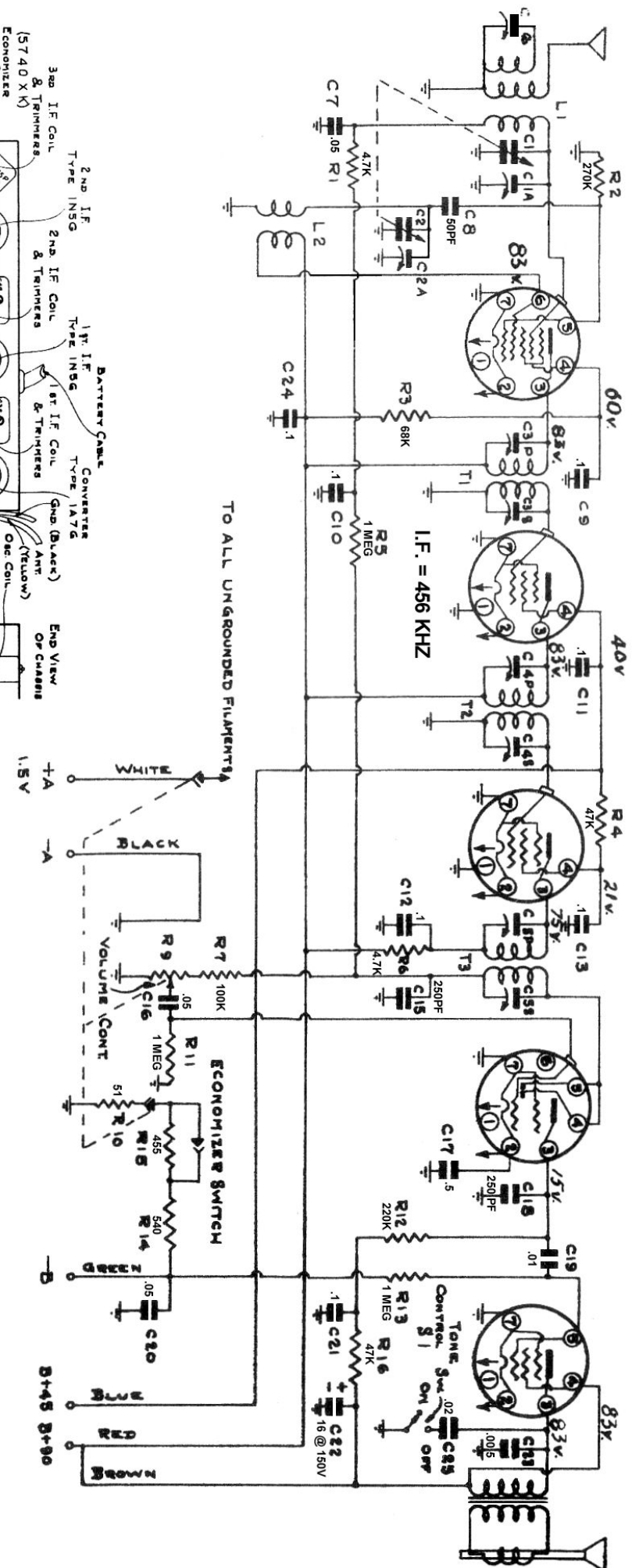


TOP VIEW OF ALL SOCKET CONNECTIONS

ANT 1A7G 1N5G 1N5G 1H5G 1C5G P.M.
 CONVERTER 1ST. I.F. 2ND. I.F. 2ND.DET.AVC. 1ST AUDIO OUTPUT DYNAMIC SPKR.



Sparton 5740XK & 5740XS Battery Operated Receiver

Sparton Models 5740XK & 5740XS Battery Operated Receiver Alignment

I.F. ALIGNMENT

With the service oscillator set at 456 Kc. and the oscillator lead connected to the 1C7G grid cap, adjust trimmers C3p, C3s, C4p, C4s, C5p and C5s for maximum output. The selector should be turned out or opened while making these adjustments.

I.F. REFLECTOR

With the service oscillator set at 456 Kc. and its output lead attached to the aerial of the chassis, adjust trimmer C6 for minimum output. Caution--Make sure the chassis is not tuned to a harmonic of 456.

R.F. ALIGNMENT

1. OSCILLATOR TRIMMER

With the service oscillator tuned to 1500 Kc. adjust trimmer C2A until signal is tuned in, when dial is set at 150.

2. ANTENNA TRIMMER

With service oscillator set at 1500 Kc. adjust C1A for maximum output.