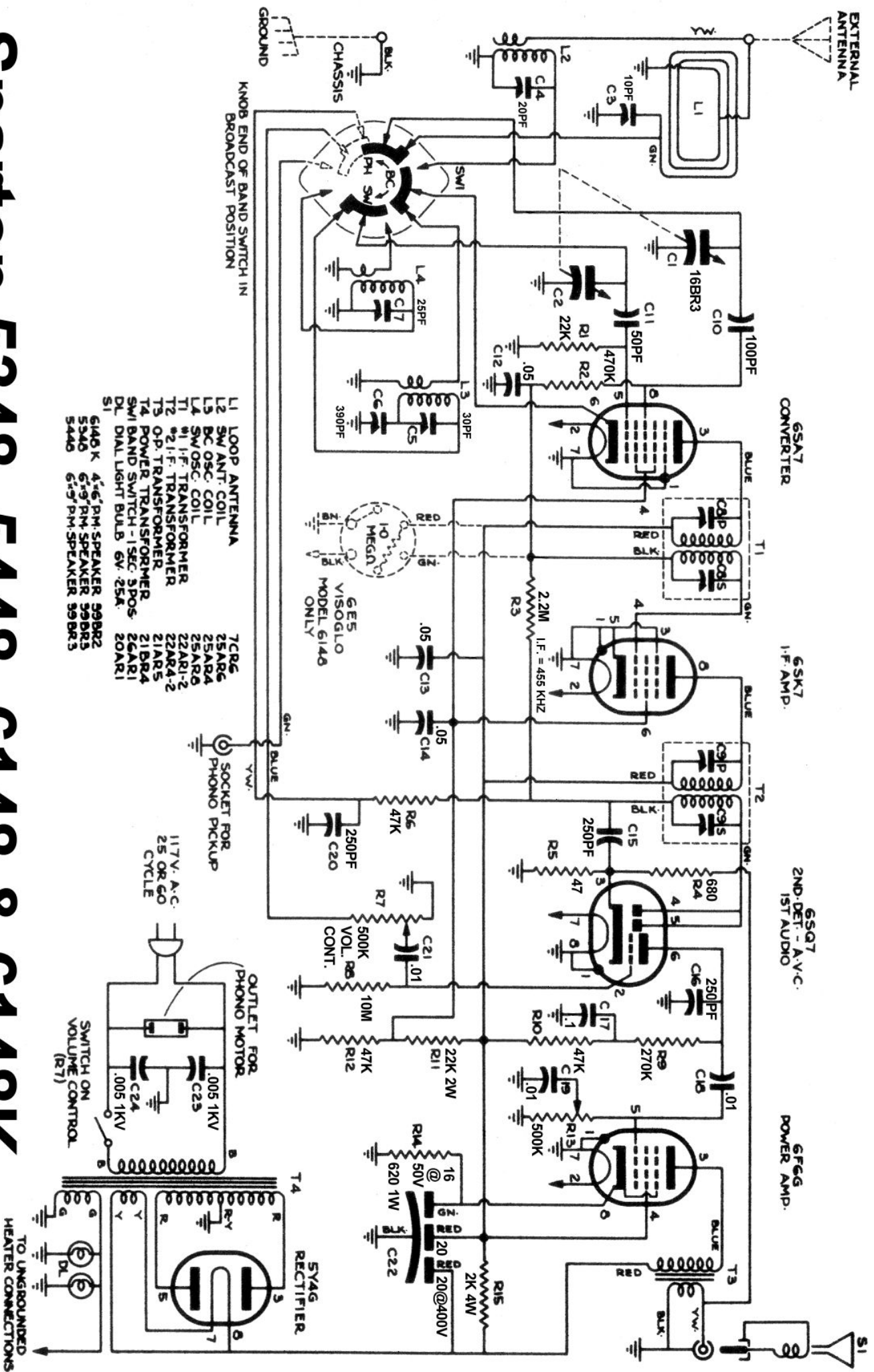


Sparton 5348, 5448, 6148 & 6148K

RCC - Sparton Data Sheet 102 - 1946-47



- L1 LOOP ANTENNA
- L2 SW ANT. COIL
- L3 BC OSC. COIL
- L4 SW OSC. COIL
- T1 #1 I.F. TRANSFORMER
- T2 #2 I.F. TRANSFORMER
- T3 OP. TRANSFORMER
- T4 POWER TRANSFORMER
- SW1 BAND SWITCH - 1 SEC. 5 POS.
- DL DIAL LIGHT BULB 6V. 25A.
- S1 5140 K 4.5" PM. SPEAKER 29BR2
- 5340 6.5" PM. SPEAKER 29BR3
- 5440 6.5" PM. SPEAKER 39BR3
- 7CR6 25AR6
- 25AR4
- 25AR6
- 22AR1-2
- 21AR5
- 21BR4
- 26AR1
- 20AR1

