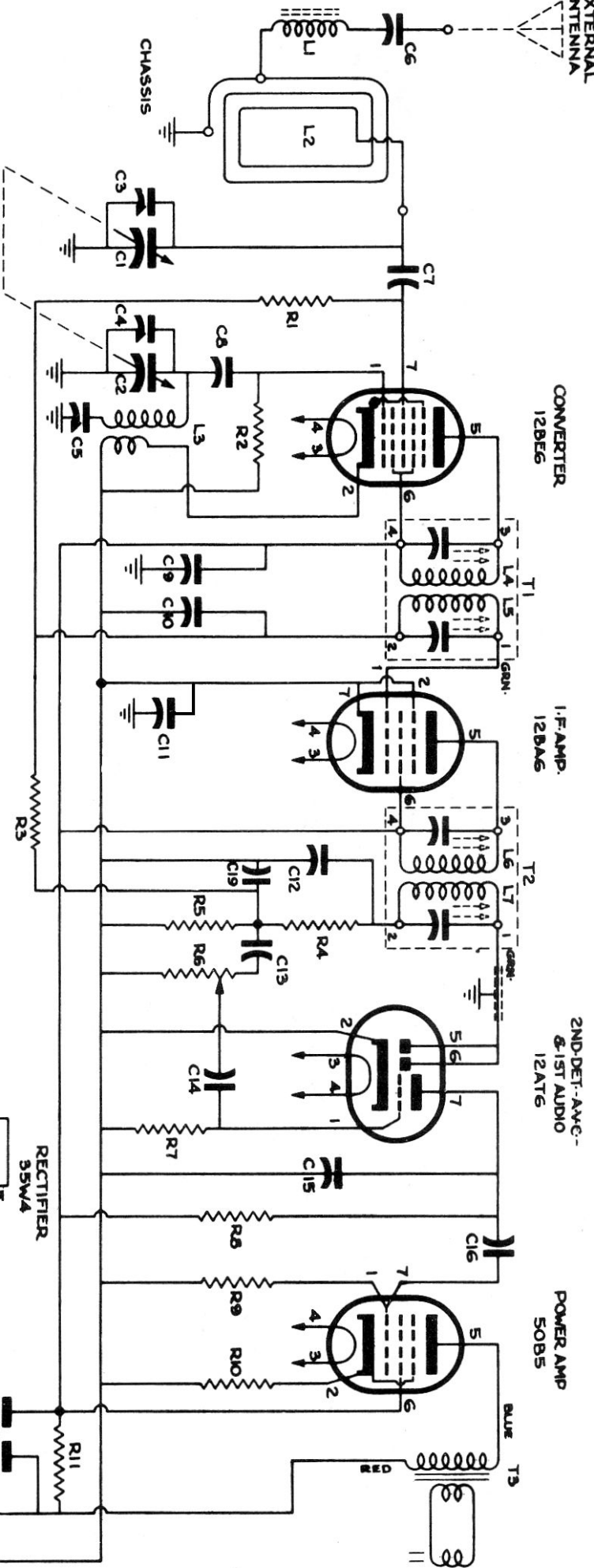
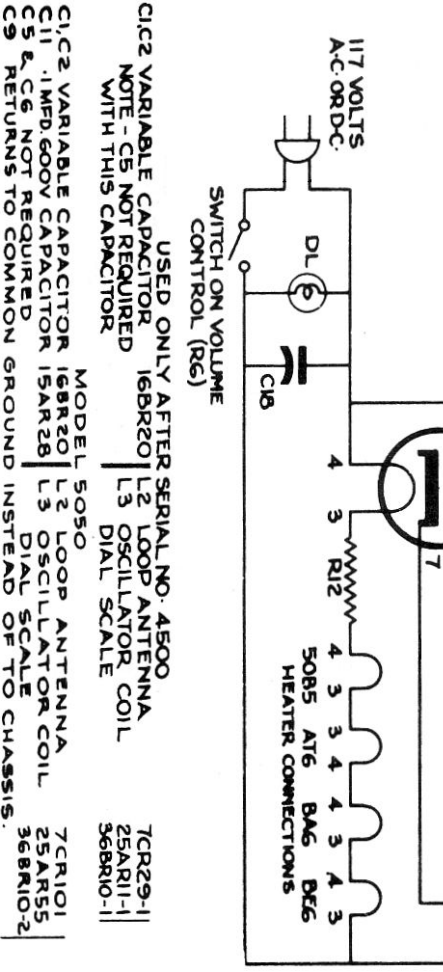


EXTERNAL ANTENNA



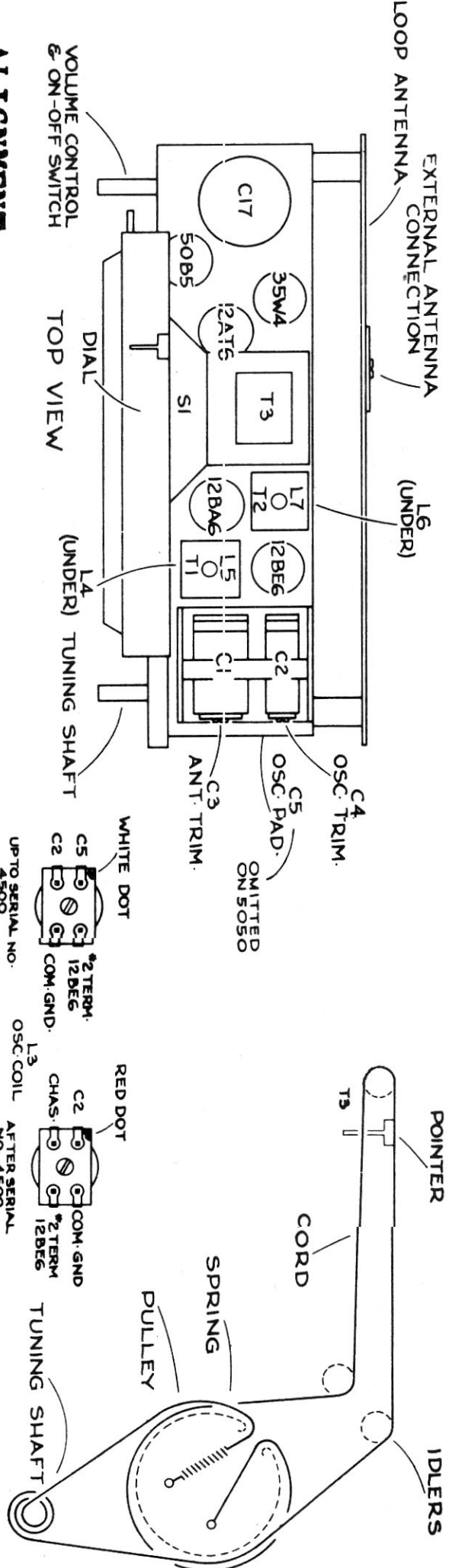
SPARTON 5050

C1, C2	VARIABLE CAPACITOR	16BR5
C3	ANTENNA TRIMMER	16BR5
C4	OSCILLATOR TRIMMER	ON 16BR5
C5	OSCILLATOR PADDER	16AR12
C6	.003 MFD. 600V. CAPACITOR	16AR25
C7	50 MMFD. MICA	16AR1-2
C8	.05 MFD. 400V.	16AR1-1
C9	.01 MFD. 400V.	16AR17
C10	.1 MFD. 400V.	15AR15
C11	250 MMFD. MICA	15AR15
C12	.01 MFD. 400V.	16AR15
C13	.01 MFD. 400V.	16AR1-3
C14	.01 MFD. 400V.	15AR15
C15	500 MMFD. MICA	16AR1-1
C16	.01 MFD. 400V.	15AR15
C17	40-40 MFD. 150V. ELECT. CAP.	17AR2
C18	.025 MFD. 600V. CAPACITOR	15AR4
C19	250 MMFD. MICA	16AR1-3
DL	117V. DIAL LIGHT BULB	20AR6
SI	4" P.M. SPEAKER	39BR7
T1	1ST. I.F. TRANSFORMER	22AR12
T2	2ND. I.F. TRANSFORMER	22AR13
T3	O.P. TRANSFORMER	21AR10
R1	470,000 Ω .25W RESISTOR	10CR29
R2	22,000 Ω .25W	10CR76
R3	2-2 MEG Ω .25W	10CR33
R4	100,000 Ω .25W	10CR36
R5	1-0 MEG Ω .25W	10CR31
R6	500,000 Ω VOL. CONT. & SW.	27AR3
R7	10-0 MEG Ω .25W RESISTOR	10CR37
R8	270,000 Ω .25W	10CR31
R9	470,000 Ω .25W	10CR29
R10	150 Ω .5W	14AR2-7
R11	1,800 Ω 1W	12CR65
R12	39 Ω 1W	14AR3-1
L1	ANT. LOAD COIL	25AR29-1
L2	LOOP ANTENNA	7CR29
L3	OSCILLATOR COIL	25AR11
L4	SEC. 1ST. I.F. TRANSFORMER	
L5	SEC. 1ST. I.F. TRANSFORMER	
L6	PR. 2ND. I.F. TRANSFORMER	
L7	DIAL SCALE	36BR10



USED ONLY AFTER SERIAL NO. 4500
 NOTE - C5 NOT REQUIRED WITH THIS CAPACITOR

C1, C2	VARIABLE CAPACITOR	16BR20
C3	.1 MFD. 600V CAPACITOR	15AR28
C4	RETURNS TO COMMON GROUND	INSTEAD OF TO CHASSIS.
C5	NOT REQUIRED	
C6	NOT REQUIRED	
C7	NOT REQUIRED	
C8	NOT REQUIRED	
C9	RETURNS TO COMMON GROUND	INSTEAD OF TO CHASSIS.
DL	DIAL SCALE	36BR10-1
SI	4" P.M. SPEAKER	39BR7
T1	1ST. I.F. TRANSFORMER	22AR12
T2	2ND. I.F. TRANSFORMER	22AR13
T3	O.P. TRANSFORMER	21AR10



ALIGNMENT

- Adjust signal generator to 455 Kcs. and connect to Antenna terminal dial at 1500 Kcs.
- Adjust I.F. trimmer slugs (iron cores) through holes in top and bottom of #2 I.F. (T2) L7 and L6, then #1 I.F. (T1) L5 and L4. A trimmer stick with a fibre screw driver tip (insulated) is preferred.
- Signal generator at 1500 Kc, dial at 1500, adjust trimmer C4 to set oscillator on frequency, and trimmer C3 for maximum signal.
- Signal generator at 600 Kc adjust C5 for maximum signal with dial at 600 Kc or maximum signal nearest 600 Kc.
- Note: Base plate on chassis.