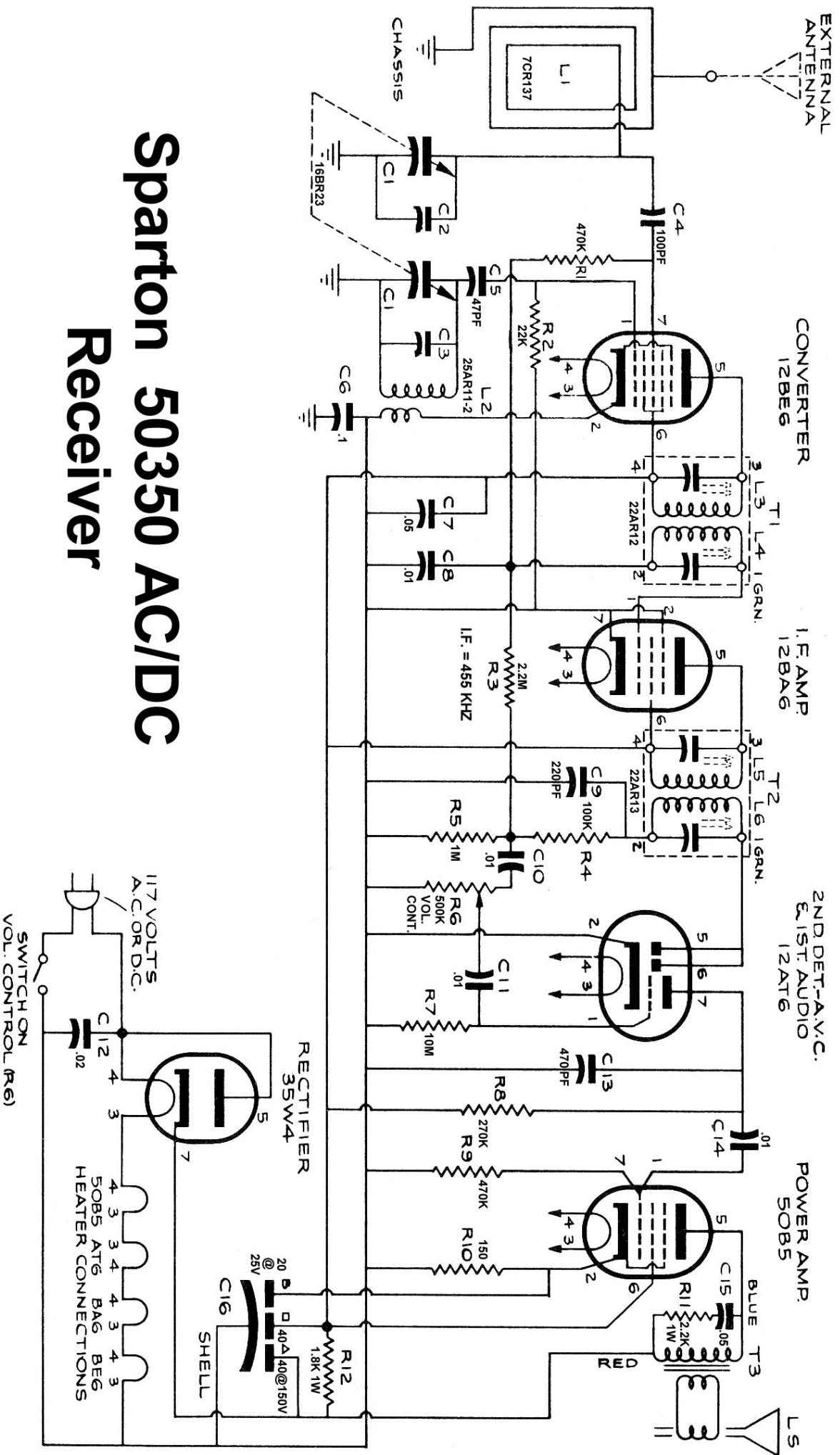
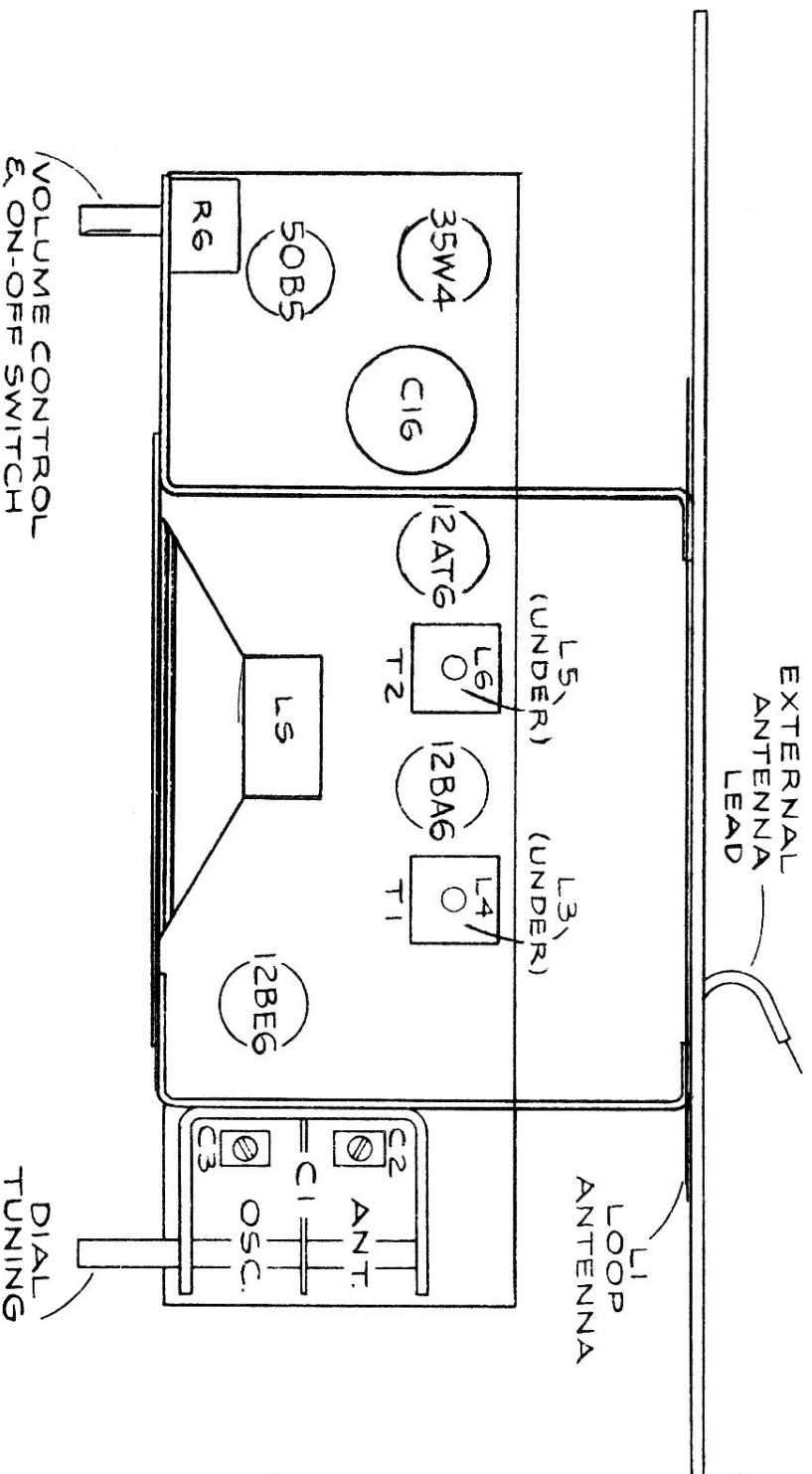


# Sparton 50350 AC/DC Receiver



# Sparton 50350 AC/DC Receiver Service Data



## ELECTRICAL ALIGNMENT

1. I.F. 455 Kcs. Connect Sig. Gen. at 455 Kcs. to radiating loop (6 to 8 turns of insulated wire 6 inches in diameter) placed near loop antenna at rear of chassis. Adjust I.F. transformers at top and bottom doing T2 - L6, L5 then T1 - L4, L3 for maximum output.
2. BC. 1500 Kcs. Connect Sig. Gen. at 1500 Kcs. to radiating loop placed near loop antenna. Dial at 1500 Kcs. adjust C3 (Osc.) and C2 for maximum signal.

