

MODEL 5953 ONLY

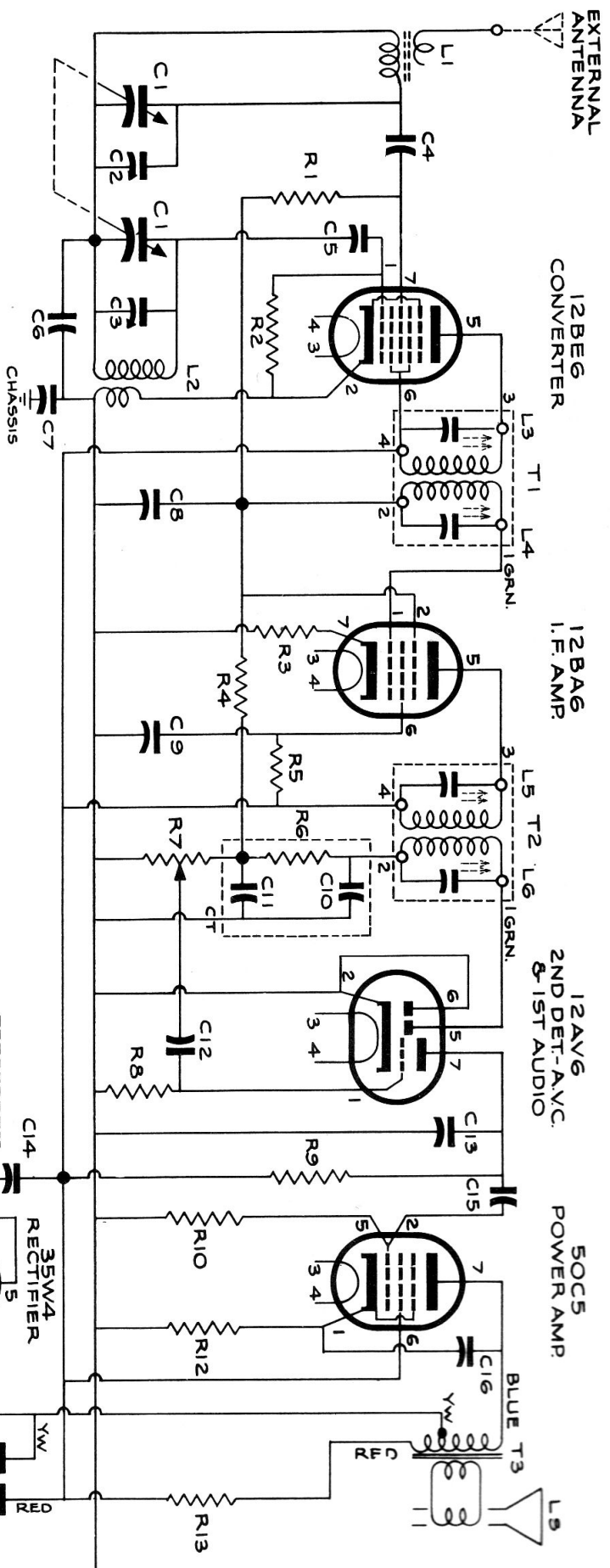
- C1, C2, C3, C4 VARIABLE CAPACITOR . . . 16BR27
- R11 1.0 MEG. VOL. CONT. & SW. . . 27AR20-1
- T3 O.P. TRANSFORMER . . . 21AR38
- L5 4" P.M. SPEAKER . . . 39BR19

- C1 VARIABLE CAP. 50253
- C2 ANT. TRIMMER 50353
- C3 OSC. TRIMMER
- C4 150 MMFD CERAMIC CAP
- C5 .35 MMFD CERAMIC
- C6 .05 MFD 400V
- C7 .05 MFD 400V
- C8 .05 MFD 200V
- C9 3000 MMFD CERAMIC
- C10 1000 MMFD CERAMIC
- C11 1000 MMFD CERAMIC
- C12 2000 MMFD CERAMIC
- C13 2000 MMFD CERAMIC
- C14 .05 MFD 400V
- C15 10000 MMFD CERAMIC
- C16 5000 MMFD CERAMIC
- C17 40-50 MFD. 150V ELEC.

- R1 10MEG Ω .25W RESISTOR
- R2 22,000 Ω .25W
- R3 69 Ω .5W
- R4 22 MEG Ω .25W
- R5 470 Ω .25W
- R6 47,000 Ω
- R7 500,000 Ω VOL. CON. & SW. (50253)
- R8 500,000 Ω VOL. CON. (50353)
- R9 220,000 Ω .25W RESISTOR
- R10 470,000 Ω .25W
- R11 68 Ω .1W
- R12 150 Ω .1W
- R13 1200 Ω .1W

- L1 LOOP ANTENNA
- L2 OSCILLATOR COIL
- L3 #1 I.F. PRI. COIL
- L4 #1 I.F. SEC. COIL
- L5 #2 I.F. PRI. COIL
- L6 #2 I.F. SEC. COIL
- L7 4" P.M. SPEAKER

- OT POWER OUTLET 1100WATTS MAX.
- TM 60 CYC CLOCK & TIMER MOTOR
- S1 ON-OFF SWITCH IN TIMER UNIT
- S2 SLEEP SWITCH



SPARTON 50253, 50353

ELECTRICAL ALIGNMENT

At least 15 minute warm up period should be allowed before adjustments are made and base plate should be on chassis.

- Connect Signal Generator to Antenna terminal and adjust to 455 kcs.
- Set Dial to 1500 kcs. and adjust I.F. iron cores with fibre trimmer stick; starting with T2 adjust L6 then L5, next adjust L4 then L3 of T1.
- With Signal Generator and Dial set at 1500 kcs. adjust trimmer C3 to set oscillator and trimmer C2 for maximum output.

LOOP PADDER

Adjusted for optimum loop performance at the factory. Field adjustment usually is unnecessary.

- With Signal Generator and Dial set at 600 kcs. adjust loop padder for maximum output.
- Reset Signal Generator and Dial to 1500 kcs. readjust C3 and rock the tuning capacitor while adjusting C2 for maximum output.

