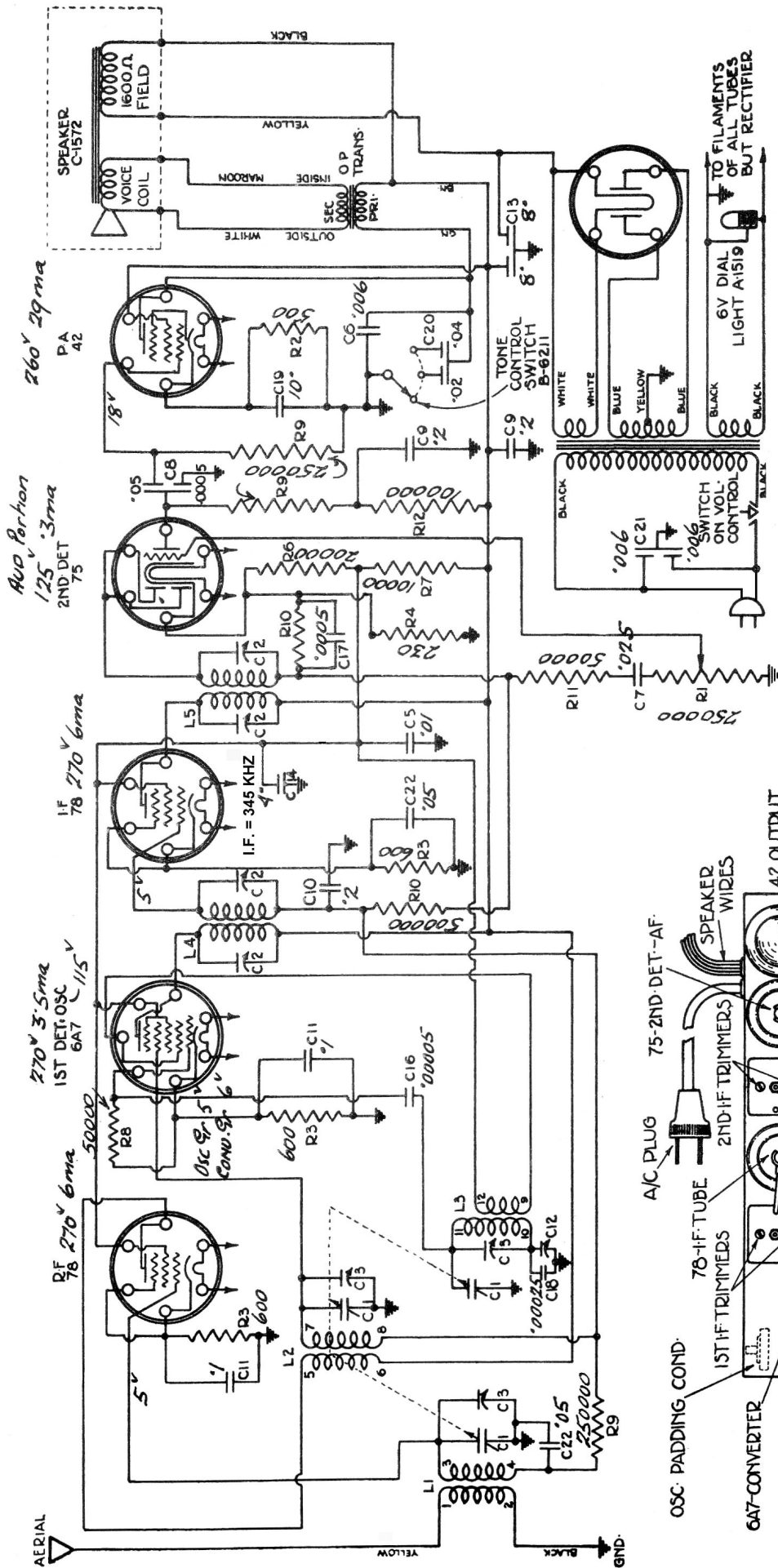


# Sparton Model 367

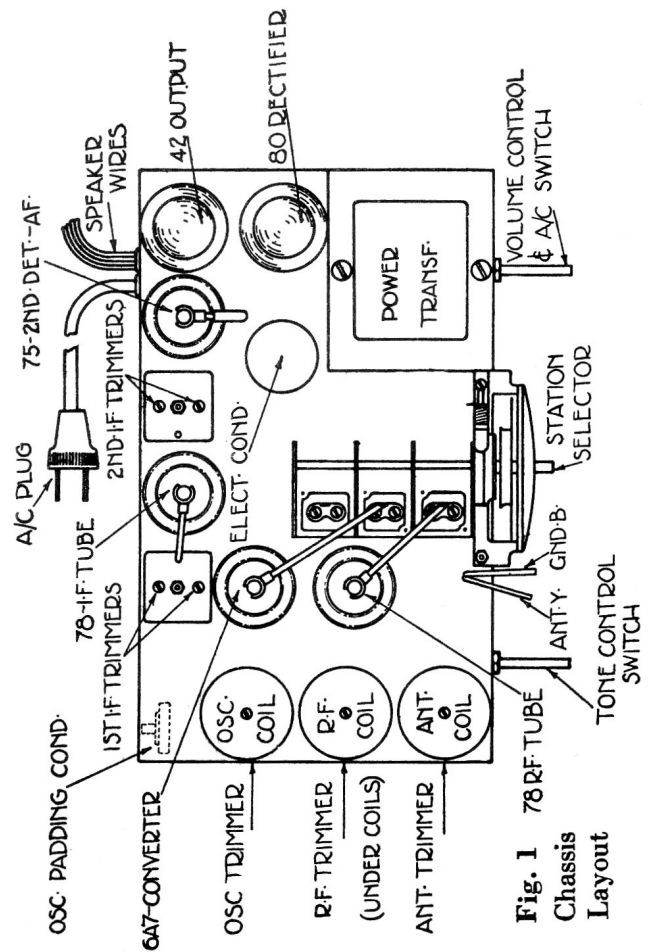


## Alignment

**Intermediate Frequency Condensers**—Adjust the test oscillator to 345 kilocycles, and feed the signal to the grid of the type 6A7 Converter. Adjust 1st and 2nd I.F. Trimmers to maximum output meter reading.

**Oscillator Trimmer Condenser**—Adjust oscillator trimmer condenser (see Fig. 1) to bring dial reading to 1500 with test oscillator signal of same frequency. If necessary, oscillator plates may be fanned at 600 K.C., and 900 K.C. and 1200 K.C. to correct calibration, over entire dial. Test oscillator fed into antenna.

**Adjust R.F. and Antenna Trimmers** (see Fig. 1) at 1200 kilocycles for maximum output meter reading. R.F. gang condensers may be fanned at 600 K.C. and 900 K.C. for increased output at those frequencies.



**Fig. 1** 78 RF TUBE Chassis Layout